

**ERLAU**<sup>®</sup>  
A BRAND OF THE RUD GROUP

# NEW HORIZONS

## New products 2024



VALID FROM 1ST DECEMBER 2023





# CONTACT We are happy to help.

## GERMANY

RUD Ketten  
 Rieger & Dietz GmbH & Co. KG  
 Friedensinsel, 73432 Aalen  
 Tel. +49 7361 504-0  
 Fax +49 7361 504-3644  
 objektueinrichtung@erlau.com  
 www.erlau.com  
 www.shop.erlau.com

## AUSTRIA

ERLAU in Österreich GmbH  
 Pfbngauer Straße 67  
 5202 Neumarkt  
 Tel.: +43 6216 9000  
 Fax: +43 6216 9000-88  
 info@erlau.at  
 www.erlau.at

## SWITZERLAND

ERLAU Schweiz AG  
 Florastrasse 14  
 8610 Uster  
 Tel.: +41 43 466 94 58  
 info@erlau.ch  
 www.erlau.com

## ITALY

SEDO  
 Julius-Durst 66  
 39042 Brixen (BZ), South Tyrol  
 Tel.: +39 0472 971141  
 Fax: +39 0472 201148  
 info@sedo-bz.com  
 www.sedo-bz.com

# SUSTAINABLE DESIGN & QUALITY since 1828.

Step into the world of Erlau, where passion and design merge, and quality is a way of life. This catalogue is your ticket to an inspiring journey that will awaken your curiosity and let your creativity take flight.

At Erlau, we are more than just a provider of outdoor furnishings; we are your partner – for architects, planners, and doers who turn ideas into reality! Our passion for design is reflected in each and every one of our products. Every detail is created with devotion, to turn your outdoor space into something truly unique.

Our products impress not only through their design, but also through their consistent availability, effortless assembly, and outstanding quality. We make it simple for you to turn your creative visions into reality.

Our mission is to create social meeting points – places where people can get together, exchange ideas, and experience community. In a world where trust, solidarity, modern forms of work and mobility are equally important, we offer comprehensive and sustainable solutions for urban spaces.

Sustainability is an essential building block of our DNA. We have stood for German engineering and quality since 1828. This pride is reflected in all of our products and services. As a family company now led by its fifth generation, we are continuing this tradition and commitment to quality.

Our understanding of sustainability is reflected in our exclusive use of castor oil surfaces, and in our commitment to using renewable energy at our main plant. Our voluntary environmental certification underscores this commitment.

We believe that affordable sustainability is the key. Our modular products ensure you always select the most affordable and sustainable solution. You can maintain and replace your products over the years, saving money without impacting the environment.

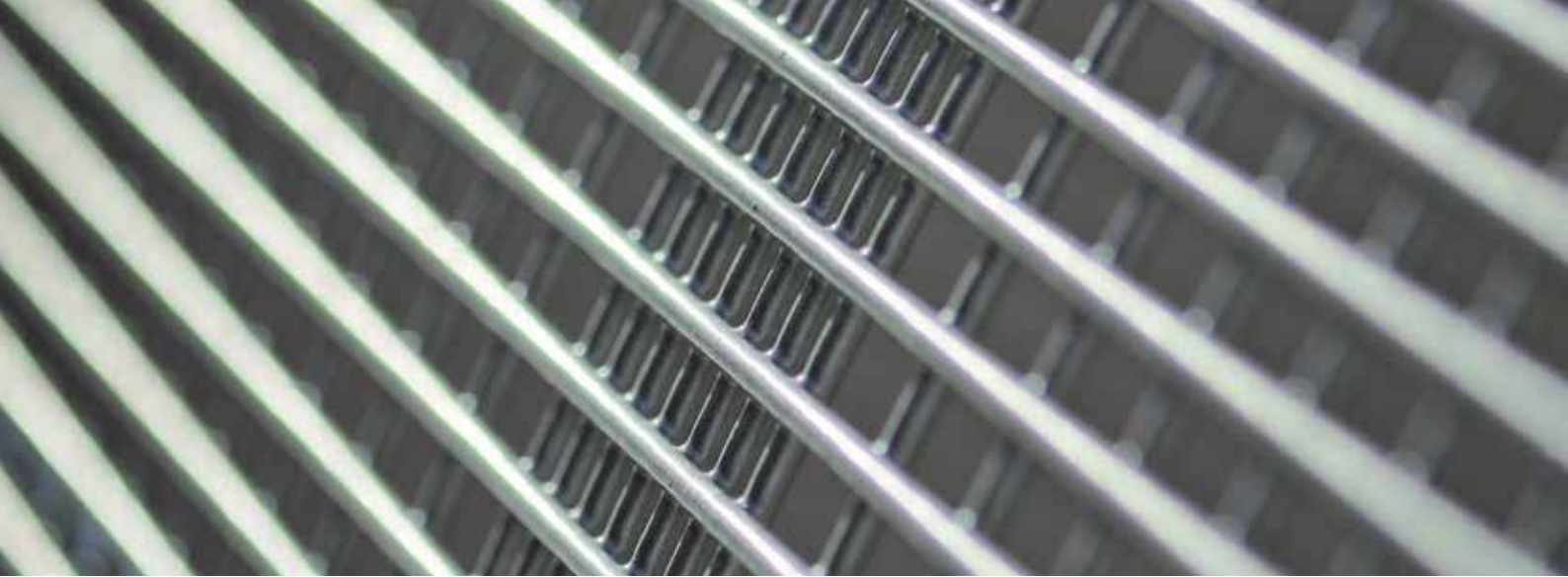
We believe good designs for outdoor spaces should be timeless, and we create our products accordingly. In this catalogue, we are introducing the new OLYMPIA LUNA product line, which embodies flexibility in form, function and material. Be inspired by our example arrangements – the ideal design object for your project. Our comprehensive range of products for safe and beautiful bicycle storage reflects Erlau's focus on the development of mobility in the urban area.

We are prepared to work alongside you, advise you, and develop sustainable design solutions together. ERLAU is your reliable and dynamic partner on your journey to design a sustainable future. Welcome to the brand that embodies perfect design and perfect quality.

On behalf of the Rieger family and the ERLAU team







# MATERIALS

“Steel is used, not consumed.“



## Steel

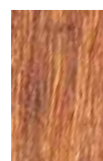
- ...is a natural and renewable material and can be 99% recycled and processed into a new product.
- ...is stable in value due to its capacity for repurposing and its durability.
- ...conserves resources. Steel's processing properties and resilience with small dimensions save material and operating costs.
- ...enables great freedom of design. Slim constructions create space to realise visions.
- ...is economical, flexible and durable.



**Recycled Plastic**  
made from secondary raw materials created from production and consumer waste



**Accoya®**  
is derived from the sustainable Pinus Radiata (pine) and is a durable and very stable solid wood (FSC certified).



**Savanna Bamboo**  
grows as much as 30cm per day and can be cut down after only 5 years.



**Dark Bamboo**  
has high density and hardness, making it extremely durable and vandalism-resistant.



**Pagholz®**  
is an extremely durable and high-quality material made from indigenous copper-beech trees (FSC certified)



**Iroko**  
has not only a refined look, but also great hardness and an extremely high load-bearing capacity (FSC certified)



**Robinia**  
grows very quickly, is exceptionally strong and durable. (FSC certified)

# COLOUR VARIANTS

## Standard colours I\*



31 White aluminium,  
similar to RAL 9006



32 Iron mica,  
similar to DB 703



33 Anthracite grey,  
similar to RAL 7016



39 Pearls metallic,  
similar to RAL 7016  
Textured

## Standard colours II\*\*



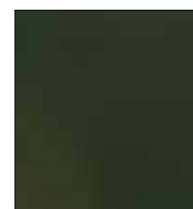
01 Pure white,  
similar to RAL 9010



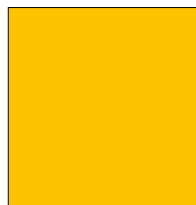
03 Ruby red,  
similar to RAL 3003



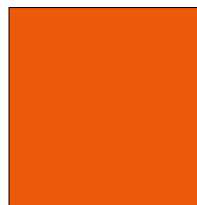
13 Ultramarine blue,  
similar to RAL 5002



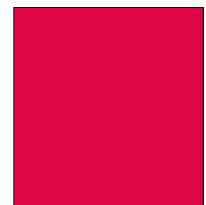
14 Fir green,  
similar to RAL 6009



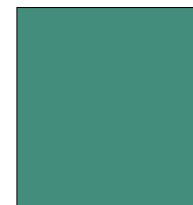
02 Traffic yellow,  
similar to RAL 1023



05 Pure orange,  
similar to RAL 2004



06 Strawberry red,  
similar to RAL 3018

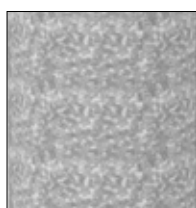


20 Mint turquoise,  
similar to RAL 6033

\*Standard colours I: please see respective product pages for delivery availability

\*\*Standard colours II: 6-8 week delivery time

Other colours available on request.



17 Hot-dip galvanised







**ERLAU®** Olympia Luna & planters





OLYMPIA LUNA

P. 10-13



OLYMPIA LUNA FLOW

P. 14-19



PLANTARI

P. 20-21



DESIGN VARIANTS

P. 22-27







# OLYMPIA LUNA

Unified design, limitless variety.

Design custom benches, seating groups and combinations with Olympia Luna. Organic shapes and natural materials foster symbiosis with the environment. Olympia Luna can be combined with planters for urban green spaces.

Every location is unique. With Olympia Luna, every piece of street furniture can be unique. Individual modules can be combined into long, straight benches, large or small circles, and totally unique arrangements. Olympia Luna can adapt to the environment, or deliberately stand out.

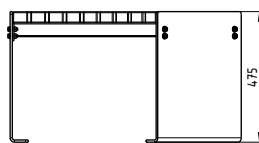
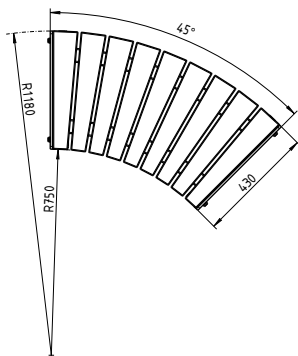




# ERLAU® Olympia Luna

**Olympia Luna 45° element. Unified design, limitless variety.**

- 45° single element – individually expandable
- Base made of laser cut moulded part, angled and rectangular design
- Portable with fixing hole
- Metal components hot-dip galvanised and powder-coated
- Seating surface available with Iroko planks (FSC certified), Robinia (FSC certified), dark bamboo dark or Savanna bamboo
- Diameter of full circle: 2,360 mm



Can be optionally combined with Gloria base.



OLYMPIA LUNA 45°				
Designation	Base element		Attachment element	
	Item no.		Item no.	
Olympia Luna 45° element Iroko	54997..*		54998..*	
Olympia Luna 45° element Robinia	54995..*		54996..*	
Olympia Luna 45° element Dark Bamboo	54993..*		54994..*	
Olympia Luna 45° element Savanna Bamboo	54991..*		54992..*	

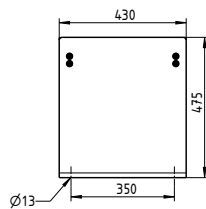
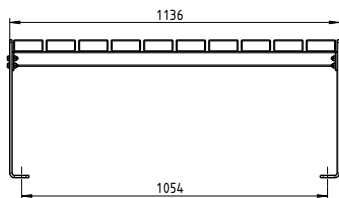
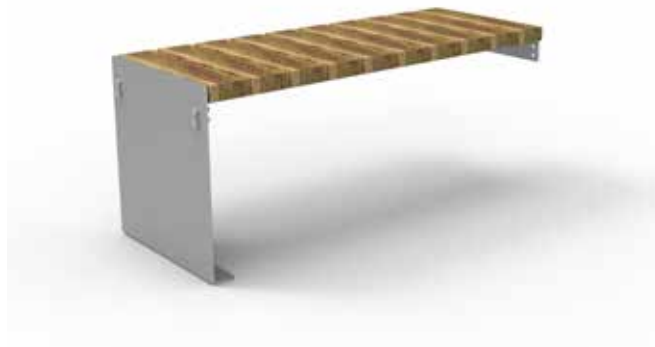
\* Please add the desired colour number to the last digits of the article number.





**Olympia Luna 2-seat element. Unified design, limitless variety.**

- 2-seat element – individually expandable
- Base made of laser cut moulded part, angled and rectangular design
- Portable with fixing hole
- Metal components hot-dip galvanised and powder-coated
- Seating surface available with Iroko planks (FSC certified), Robinia (FSC certified), dark bamboo dark or Savanna bamboo
- Dimensions (W x D x H) 1,136 x 430 x 475 mm



Can be optionally combined with Gloria base.



OLYMPIA LUNA 2-SEAT				
Designation	Base element		Attachment element	
	Item no.		Item no.	
Olympia Luna 2-seat element Iroko	55005..*		55006..*	
Olympia Luna 2-seat element Robinia	55003..*		55004..*	
Olympia Luna 2-seat element Dark Bamboo	55001..*		55002..*	
Olympia Luna 2-seat element Savanna Bamboo	54999..*		55000..*	

\* Please add the desired colour number to the last digits of the article number.



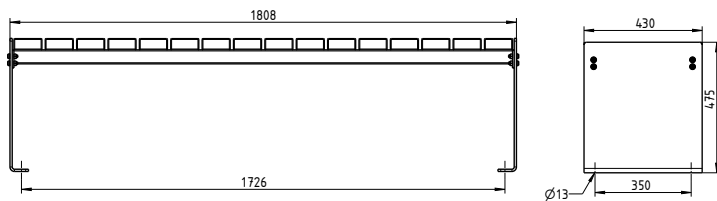
# ERLAU® Olympia Luna

**Olympia Luna 3-seat element. Unified design, limitless variety.**

- 3-seat element – individually expandable
- Base made of laser cut moulded part, angled and rectangular design
- Portable with fixing hole
- Metal components hot-dip galvanised and powder-coated
- Seating surface available with Iroko planks (FSC certified), Robinia (FSC certified), dark bamboo dark or Savanna bamboo
- Dimensions (W x D x H) 1,808 x 430 x 475 mm



Can be optionally combined with Gloria base.



OLYMPIA LUNA 3-SEAT				
Designation	Base element		Attachment element	
	Item no.		Item no.	
Olympia Luna 3-seat element Iroko	55013..*		55014..*	
Olympia Luna 3-seat element Robinia	55011..*		55012..*	
Olympia Luna 3-seat element Dark Bamboo	55009..*		55010..*	
Olympia Luna 3-seat element Savanna Bamboo	55007..*		55008..*	

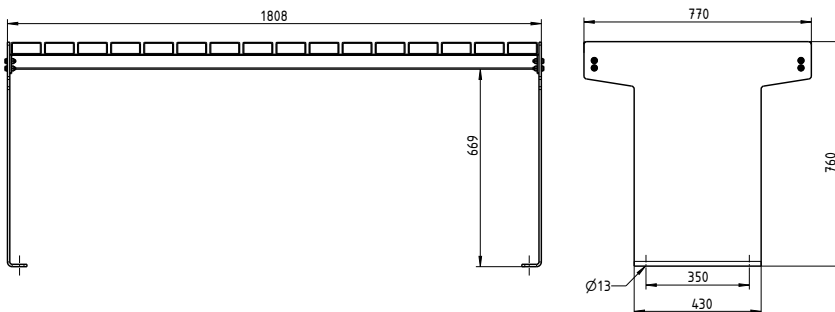
\* Please add the desired colour number to the last digits of the article number.





**Olympia Luna table. Unified design, limitless variety.**

- Base made of laser cut moulded part, angled
- Portable with fixing hole
- Metal components hot-dip galvanised and powder-coated
- Table top available with Iroko planks (FSC certified), Robinia (FSC certified), dark bamboo dark or Savanna bamboo
- Dimensions (W x D x H) 1,808 x 770 x 760 mm



OLYMPIA LUNA TABLE		
Designation	Item no.	
	Olympia Luna table Iroko	55018..*
Olympia Luna table Robinia	55017..*	
Olympia Luna table Dark Bamboo	55016..*	
Olympia Luna table Savanna Bamboo	55015..*	

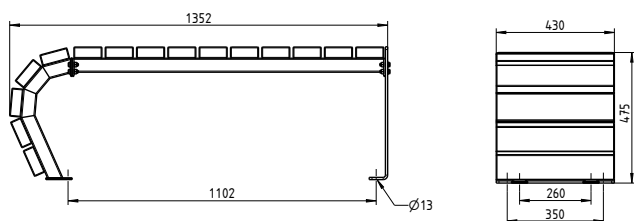
\* Please add the desired colour number to the last digits of the article number.



# ERLAU® Olympia Luna Flow

**Olympia Luna Flow 2-seat element. Unified design, limitless variety.**

- 2-seat element – individually expandable
- With continuous seating surface on one side, transitioning into the base
- Base made of laser cut moulded part, angled and rectangular design
- Portable with fixing hole
- Metal components hot-dip galvanised and powder-coated
- Seating surface available with Iroko planks (FSC certified), Robinia (FSC certified), dark bamboo dark or Savanna bamboo
- Dimensions (W x D x H) 1,352 x 430 x 475 mm



Can be optionally combined with Gloria base.



## OLYMPIA LUNA FLOW ONE SIDED 2-SEAT

Designation	Base element		Attachment element	
	Item no.		Item no.	
Olympia Luna Flow 2-seat element Iroko	55097..*		55098..*	
Olympia Luna Flow 2-seat element Robinia	55095..*		55096..*	
Olympia Luna Flow 2-seat element Dark Bamboo	55093..*		55094..*	
Olympia Luna Flow 2-seat element Savanna Bamboo	55091..*		55092..*	

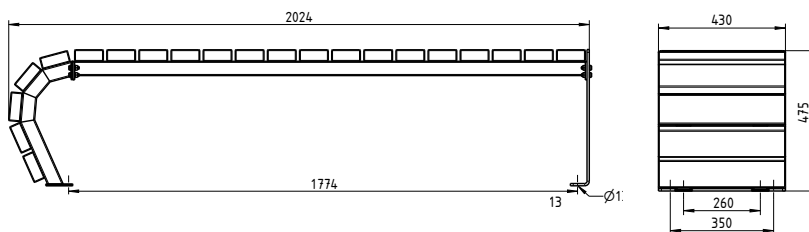
\* Please add the desired colour number to the last digits of the article number.





**Olympia Luna Flow 3-seat element. Unified design, limitless variety.**

- 3-seat element – individually expandable
- With continuous seating surface on one side, transitioning into the base
- Base made of laser cut moulded part, angled and rectangular design
- Portable with fixing hole
- Metal components hot-dip galvanised and powder-coated
- Seating surface available with Iroko planks (FSC certified), Robinia (FSC certified), dark bamboo dark or Savanna bamboo
- Dimensions (W x D x H) 2,024 x 430 x 475 mm



Can be optionally combined with Gloria base.



OLYMPIA LUNA FLOW ONE SIDED 3-SEAT				
Designation	Base element		Attachment element	
	Item no.		Item no.	
Olympia Luna Flow 3-seat element Iroko	55105..*		55106..*	
Olympia Luna Flow 3-seat element Robinia	55103..*		55104..*	
Olympia Luna Flow 3-seat element Dark Bamboo	55101..*		55102..*	
Olympia Luna Flow 3-seat element Savanna Bamboo	55099..*		55100..*	

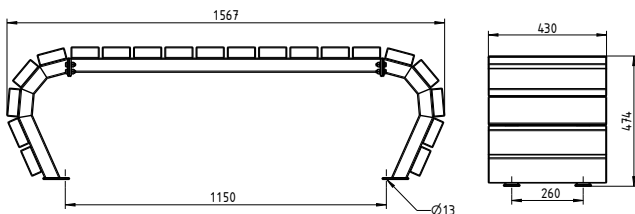
\* Please add the desired colour number to the last digits of the article number.



# ERLAU® Olympia Luna Flow

**Olympia Luna Flow 2-seat bench. Unified design, limitless variety.**

- 2-seat element
- With continuous seating surface on both sides, transitioning into the base
- Portable with fixing hole
- Metal components hot-dip galvanised and powder-coated
- Seating surface available with Iroko planks (FSC certified), Robinia (FSC certified), dark bamboo dark or Savanna bamboo
- Dimensions (W x D x H) 1,567 x 430 x 474 mm



## OLYMPIA LUNA FLOW 2-SEAT BENCH

Designation	Item no.	
	Olympia Luna Flow 2-seat bench Iroko	55110..*
Olympia Luna Flow 2-seat bench Robinia	55109..*	
Olympia Luna Flow 2-seat bench Dark Bamboo	55108..*	
Olympia Luna Flow 2-seat bench Savanna Bamboo	55107..*	

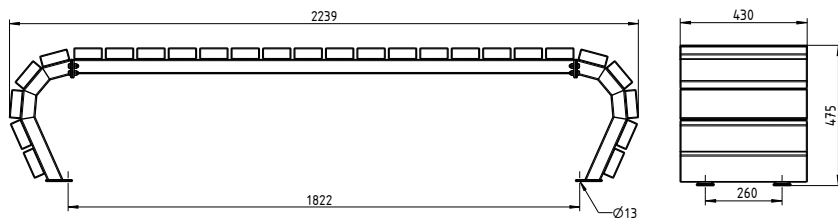
\* Please add the desired colour number to the last digits of the article number.





**Olympia Luna Flow 3-seat bench. Unified design, limitless variety.**

- 3-seat element
- With continuous seating surface on both sides, transitioning into the base
- Portable with fixing hole
- Metal components hot-dip galvanised and powder-coated
- Seating surface available with Iroko planks (FSC certified), Robinia (FSC certified), dark bamboo dark or Savanna bamboo
- Dimensions (W x D x H) 2,239 x 430 x 475 mm



**OLYMPIA LUNA FLOW 3-SEAT BENCH**

Designation	Item no.	
	Olympia Luna Flow 3-seat bench Iroko	55114..*
Olympia Luna Flow 3-seat bench Robinia	55113..*	
Olympia Luna Flow 3-seat bench Dark Bamboo	55112..*	
Olympia Luna Flow 3-seat bench Savanna Bamboo	55111..*	

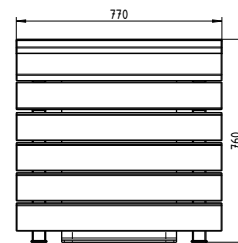
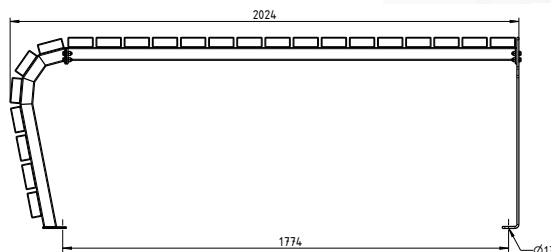
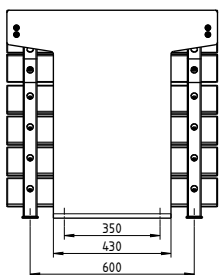
\* Please add the desired colour number to the last digits of the article number.



# ERLAU® Olympia Luna Flow

**Olympia Luna Flow table one-sided. Unified design, limitless variety.**

- Base made of laser cut moulded part, angled
- With continuous table surface on one side, transitioning into the base
- Portable with fixing hole
- Metal components hot-dip galvanised and powder-coated
- Table top available with Iroko planks (FSC certified), Robinia (FSC certified), dark bamboo dark or Savanna bamboo
- Dimensions (W x D x H) 2,024 x 770 x 760 mm



## OLYMPIA LUNA FLOW TABLE ONE-SIDED

Designation	Item no.	
	Olympia Luna Flow table one-sided Iroko	55118..*
Olympia Luna Flow table one-sided Robinia	55117..*	
Olympia Luna Flow table one-sided Dark Bamboo	55116..*	
Olympia Luna Flow table one-sided Savanna Bamboo	55115..*	

\* Please add the desired colour number to the last digits of the article number.



Quick delivery range: From stock



6- 8 weeks

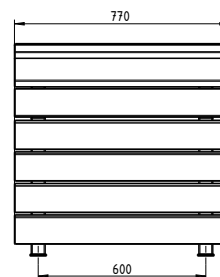
Choice of RAL colour on request





**Olympia Luna Flow table two-sided. Unified design, limitless variety.**

- With continuous table surface on both sides, transitioning into the base
- Portable with fixing hole
- Metal components hot-dip galvanised and powder-coated
- Table top available with Iroko planks (FSC certified), Robinia (FSC certified), dark bamboo dark or Savanna bamboo
- Dimensions (W x D x H) 2,240 x 770 x 760 mm



**OLYMPIA LUNA FLOW TABLE TWO-SIDED**

Designation	Item no.	
Olympia Luna Flow table two-sided Iroko	55122..*	
Olympia Luna Flow table two-sided Robinia	55121..*	
Olympia Luna Flow table two-sided Dark Bamboo	55120..*	
Olympia Luna Flow table two-sided Savanna Bamboo	55119..*	

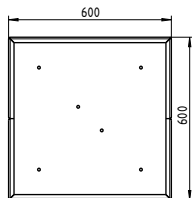
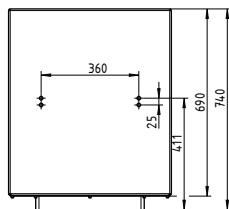
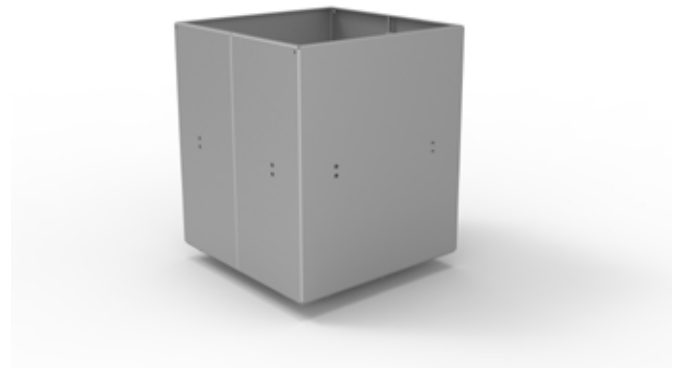
\* Please add the desired colour number to the last digits of the article number.



# ERLAU® Plantari

## Plantari planter

- Portable with drain hole
- Hot-dip galvanised and powder-coated
- Optional custom combination with seating elements
- With offset base for simple relocation
- Dimensions (W x D x H) 600 x 600 x 740 mm



### PLANTARI PLANTER

Designation	Item no.	
	Plantari planter without drill hole	55313..*
Plantari planter one-sided drill hole	55315..*	
Plantari planter 90° drill hole	55316..*	
Plantari planter 180° drill hole	55311..*	
Plantari planter 270° drill hole	55320..*	
Plantari planter 360° drill hole	55309..*	

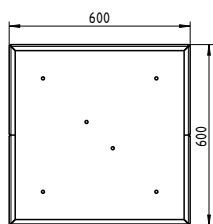
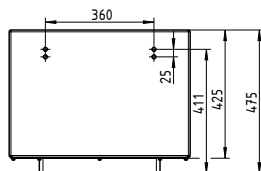
\* Please add the desired colour number to the last digits of the article number.





## Plantari planter low

- Portable with drain hole
- Hot-dip galvanised and powder-coated
- Optional custom combination with seating elements
- With offset base for simple relocation
- Dimensions (W x D x H) 600 x 600 x 475 mm



### PLANTARI PLANTER LOW

Designation	Item no.	
	Plantari planter low without drill hole	55314..*
Plantari planter low one-sided drill hole	55317..*	
Plantari planter low 90° drill hole	55318..*	
Plantari planter low 180° drill hole	55312..*	
Plantari planter low 270° drill hole	55321..*	
Plantari planter low 360° drill hole	55310..*	

\* Please add the desired colour number to the last digits of the article number.

39

Quick delivery range: From stock

31

32

33

01

03

14

02

05

06

20

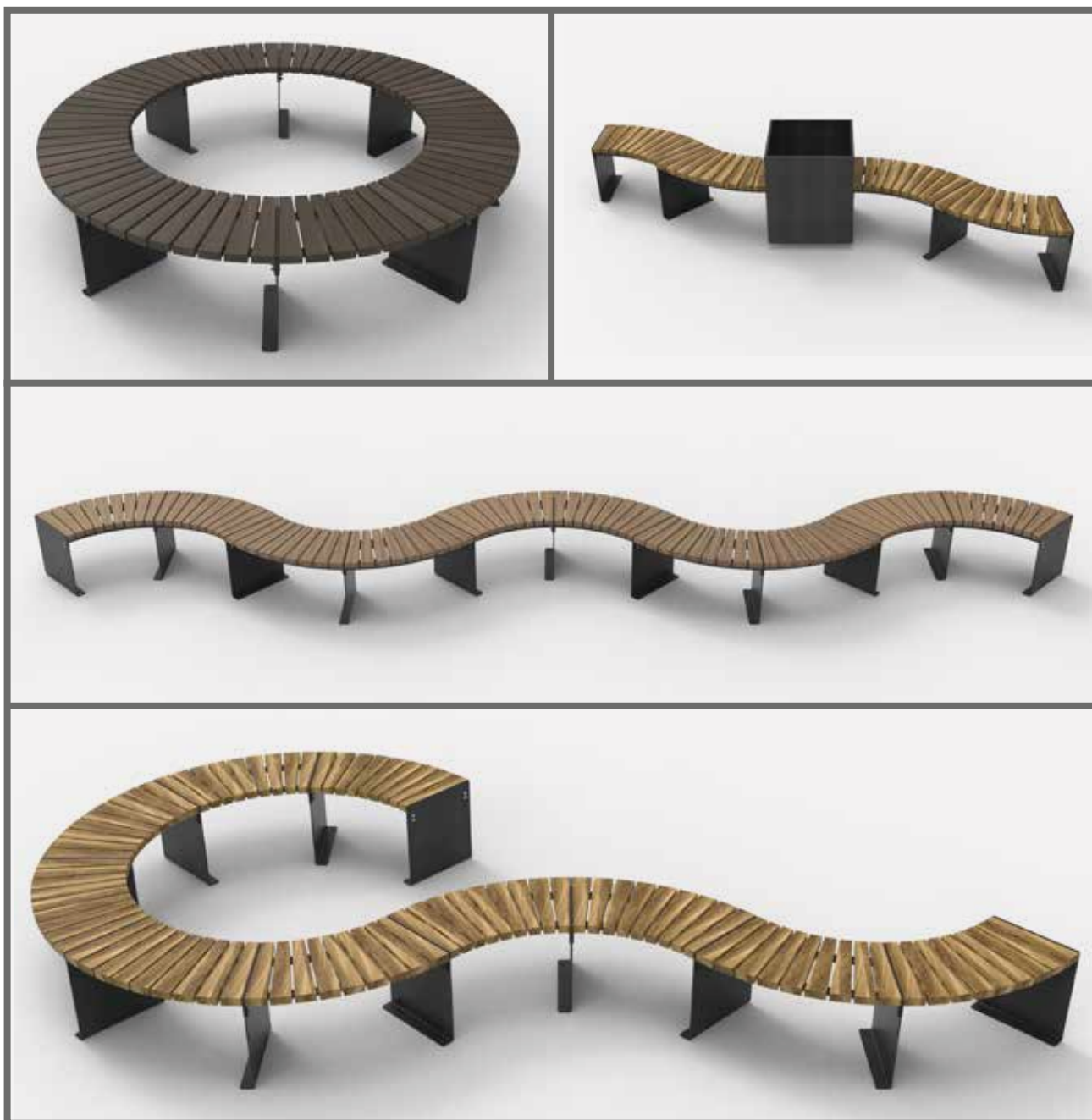
13

6-8 weeks

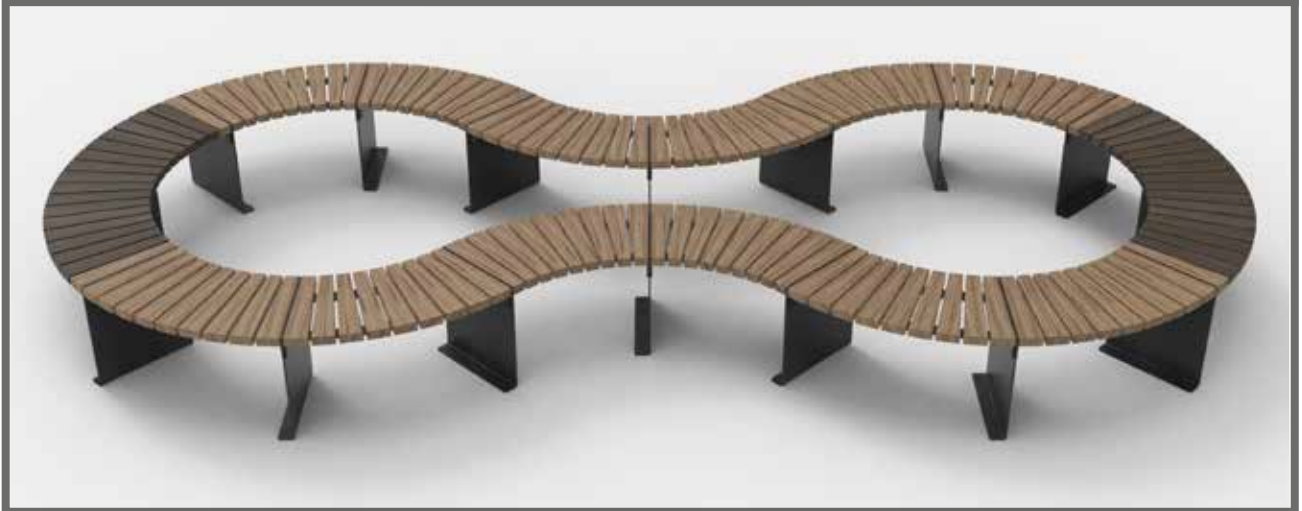
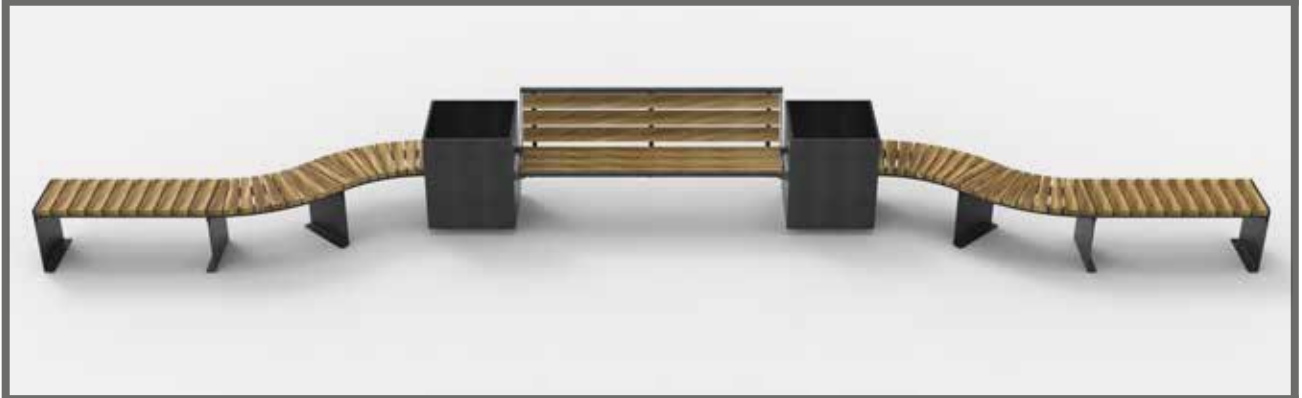
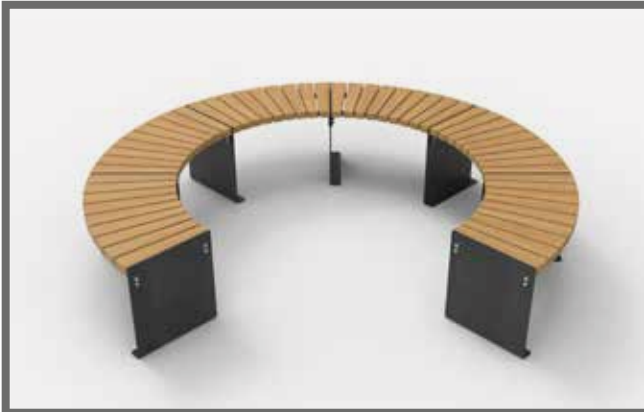
Choice of RAL colour on request



**ERLAU**® Design variants

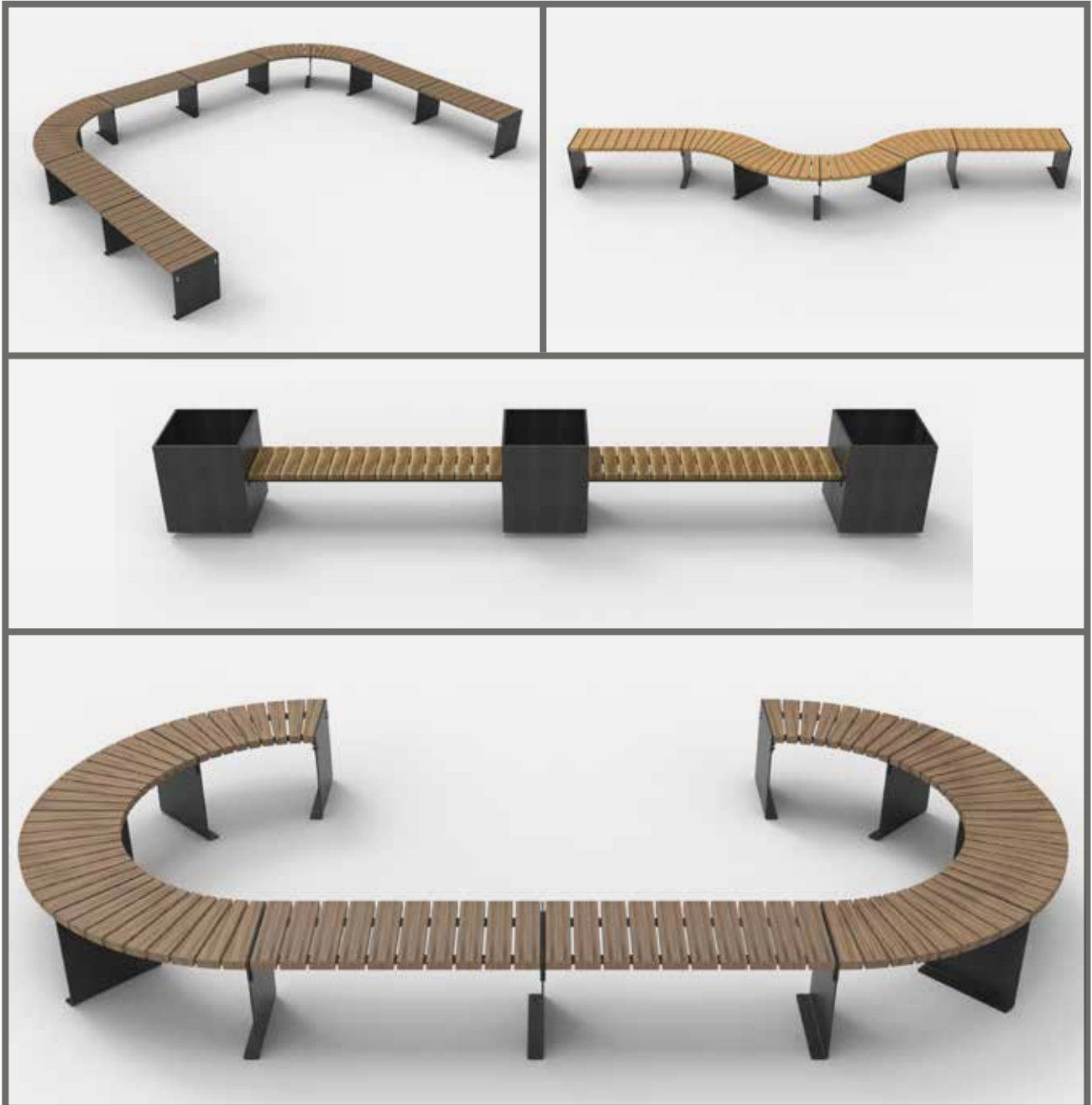






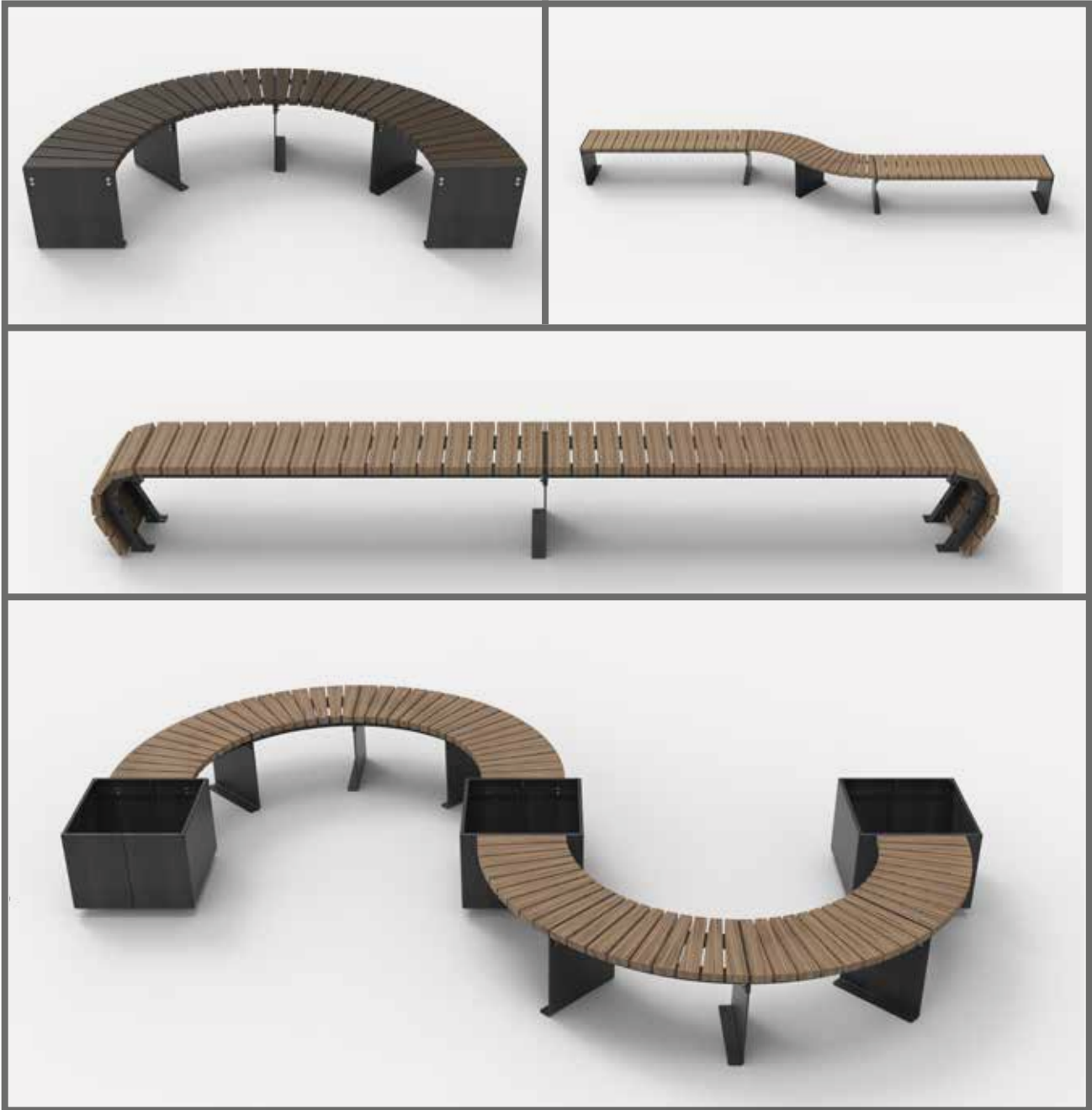


**ERLAU®** Design variants



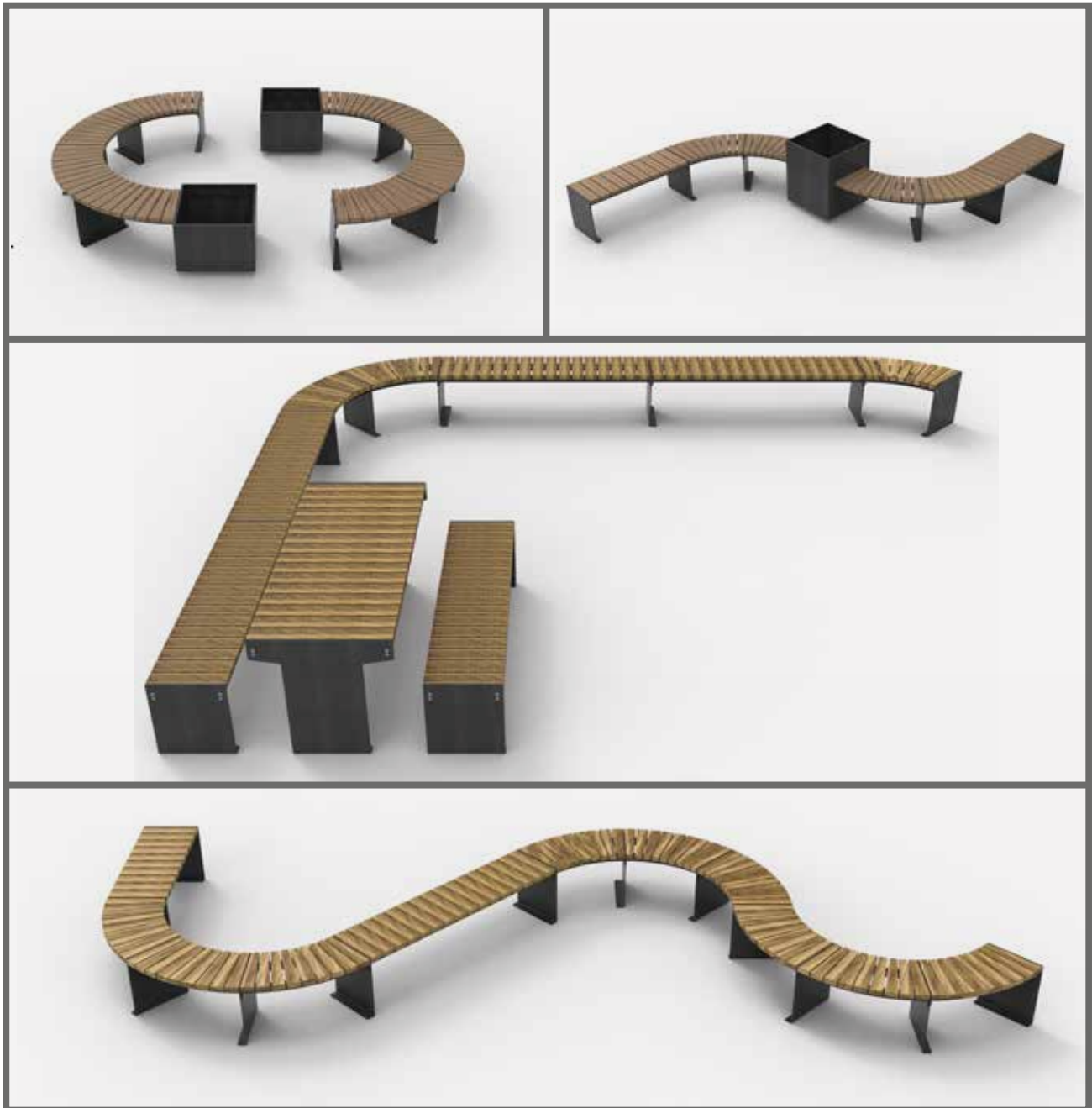


# CITY HIGH SCHOOL

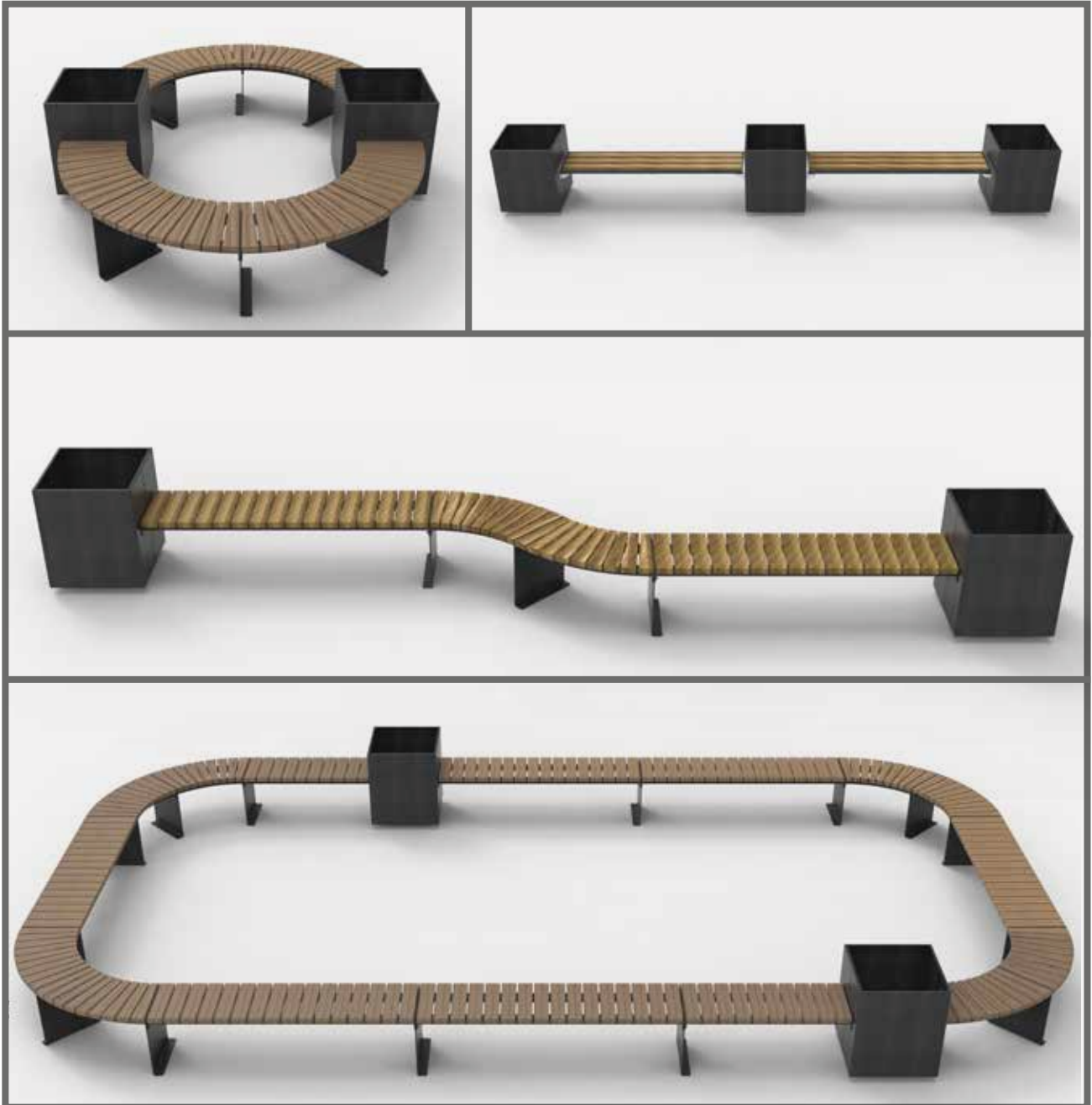




**ERLAU®** Design variants











**ERLAU®** New seating products







PATIO

P. 30-33



PATIO RAINBOW

P. 34-35



PIEGA

P. 36



STRADA

P. 38-41

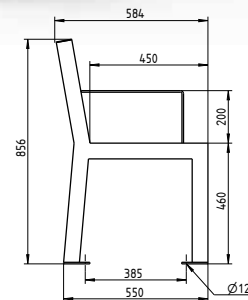
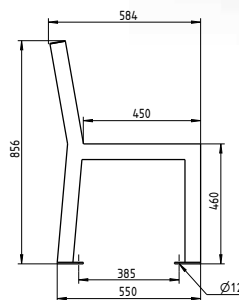
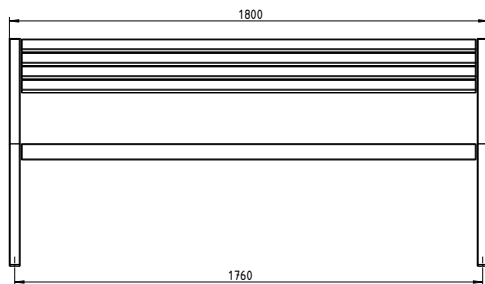


# ERLAU® Patio

**Patio bench. Fits anywhere and any time – either on its own or combined with a table.**

- Portable with fixing hole
- Metal components hot-dip galvanised and powder-coated
- Seat and back surfaces available with planks (60 x 40 mm) made of Iroko (FSC certified), Robinia (FSC certified), Dark Bamboo, Savanna Bamboo, or planks of powder coated steel
- Bench with back rest, with optional additional armrests
- Bench dimensions (W x D x H): 1,800 x 584 x 856 mm

**Matching bicycle stand brackets on pages 52-53.**



## PATIO BENCH WITH BACKREST

Designation	With backrest		With backrest and armrest	
	Item no.		Item no.	
Patio bench Iroko	54969..*		54973..*	
Patio bench Robinia	54968..*		54972..*	
Patio bench Dark Bamboo	54966..*		54970..*	
Patio bench Savanna Bamboo	54967..*		54971..*	
Patio bench tubular planks	55305..*		55306..*	

\* Please add the desired colour number to the last digits of the article number.

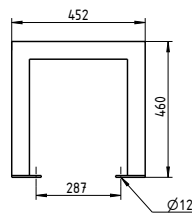
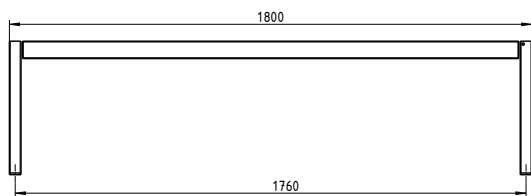




**Patio bench. Fits anywhere and any time – either on its own or combined with a table.**

- Portable with fixing hole
- Metal components hot-dip galvanised and powder-coated
- Seat surface available with planks (60 x 40 mm) made of Iroko (FSC certified), Robinia (FSC certified), Dark Bamboo, Savanna Bamboo, or planks of powder coated steel
- Bench dimensions without backrest (W x D x H): 1,800 x 452 x 460 mm

**Matching bicycle stand brackets on pages 52-53.**



PATIO BENCH WITHOUT BACKREST		
Designation	Without backrest	
	Item no.	
Patio bench Iroko	54977..*	
Patio bench Robinia	54976..*	
Patio bench Dark Bamboo	54974..*	
Patio bench Savanna Bamboo	54975..*	
Patio bench with tubular planks	55307..*	

\* Please add the desired colour number to the last digits of the article number.

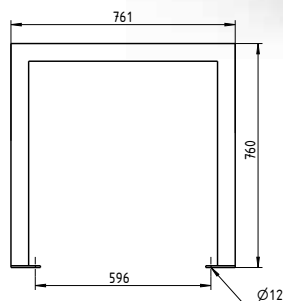
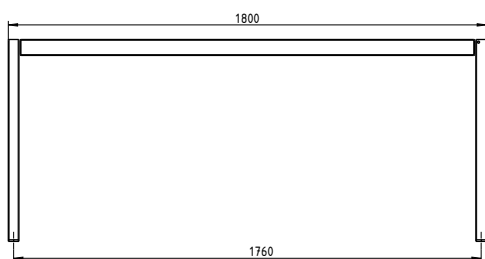


## ERLAU® Patio

**Patio table. Fits anywhere and any time – either on its own or combined with a bench.**

- Portable with fixing hole
- Metal components hot-dip galvanised and powder-coated
- Table top available with planks (60 x 40 mm) made of Iroko (FSC certified), Robinia (FSC certified), Dark Bamboo, Savanna Bamboo, or planks of powder coated steel
- Table dimensions (W x D x H): 1,800 x 761 x 760 mm

**Matching bicycle stand brackets on pages 52-53.**



PATIO TABLE		
Designation	Item no.	
	Patio table Iroko	54981..*
Patio table Robinia	54980..*	
Patio table Dark Bamboo	54978..*	
Patio table Savanna Bamboo	54979..*	
Patio table tubular planks	55308..*	

\* Please add the desired colour number to the last digits of the article number.





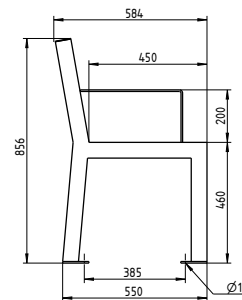
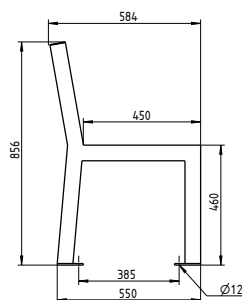
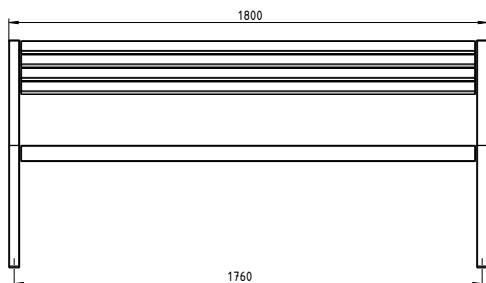


# ERLAU® Patio Rainbow

**Patio bench. Fits anywhere and any time – either on its own or combined with a table.**

- Portable with fixing hole
- Metal components hot-dip galvanised and powder-coated
- Seat and back surfaces with planks (60 x 40 mm) made of powder coated steel
- Bench with back rest, with optional additional armrests
- Bench dimensions (W x D x H): 1,800 x 584 x 856 mm
- Bench dimensions without backrest (W x D x H): 1,800 x 452 x 460 mm
- Table dimensions (W x D x H): 1,800 x 761 x 760 mm

**Matching bicycle stand brackets on pages 52-53.**



## PATIO RAINBOW

Designation	Item no.	
	Patio Rainbow bench with backrest	5533539
Patio Rainbow bench with back rest and armrest	5533639	

\* Please add the desired colour number to the last digits of the article number.

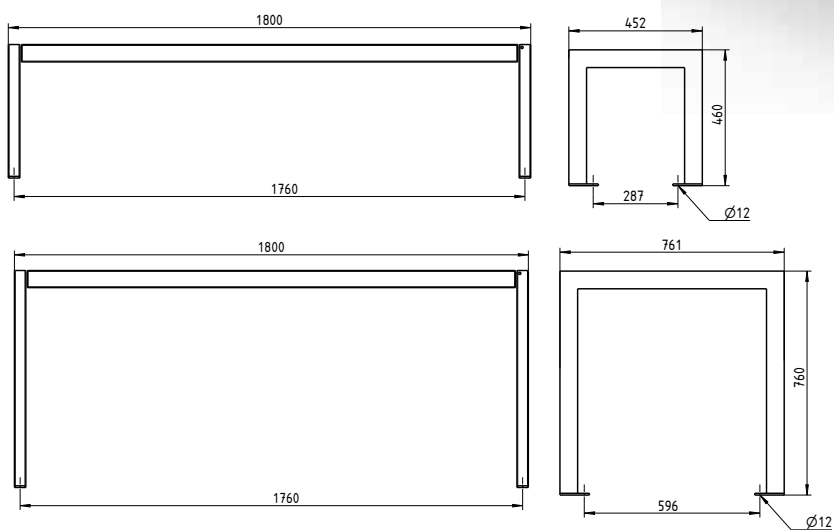




**Patio bench and table. Fits anywhere and any time – either on their own or together.**

- Portable with fixing hole
- Metal components hot-dip galvanised and powder-coated
- Seat and table surfaces with planks (60 x 40 mm) made of powder coated steel
- Bench dimensions without backrest (W x D x H): 1,800 x 452 x 460 mm
- Table dimensions (W x D x H): 1,800 x 761 x 760 mm

Matching bicycle stand brackets on pages 52-53.



PATIO RAINBOW		
Designation	Item no.	
	Patio Rainbow bench without backrest	5533739
Patio Rainbow table	5533839	

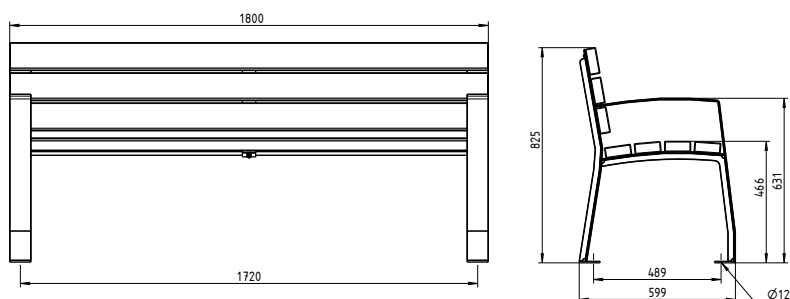
\* Please add the desired colour number to the last digits of the article number.



# ERLAU® Piega

## Piega bench. Classic and versatile.

- Portable with fixing hole
- Laser cut moulded parts
- Metal components hot-dip galvanised and powder-coated
- Seat and back surfaces available with planks (100 x 40 mm) made of Iroko (FSC certified), Robinia (FSC certified), Dark Bamboo, or Savanna Bamboo
- Bench dimensions (W x D x H): 1,800 x 599 x 825 mm



### PIEGA BENCH WITH BACKREST

Designation	Item no.	
Piega bench Iroko	55298..*	
Piega bench Robinia	55297..*	
Piega bench Dark Bamboo	55296..*	
Piega bench Savanna Bamboo	55295..*	

\* Please add the desired colour number to the last digits of the article number.







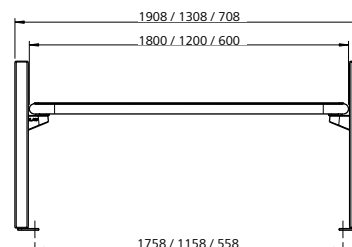
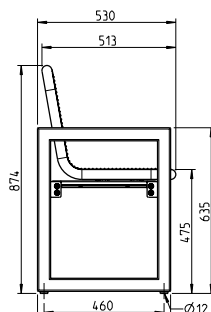
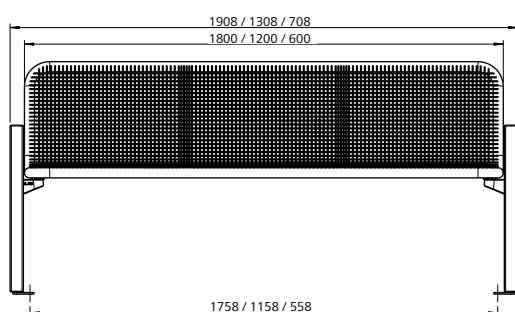
# ERLAU® Strada Harmony

**The square of seating. The shapes come together in a unique design, making the bank a modern classic.**

- Seat and backrest with full wire mesh surface and round tubes, diameter 38 mm
- Grid 15 x 15 mm, wire thickness 3.3 mm
- More compact grid for seat separation and added stabilisation
- Seat surface vortex, min. coating thickness 350 µm
- Base with armrests. Hot-dip galvanised and powder-coated, portable with mounting brackets
- Adapter set for connecting seat and base



**Matching bicycle stand brackets on page 50.**



## STRADA HARMONY BENCH

Designation	With backrest		Without backrest	
	Item no.		Item no.	
Strada Harmony bench 180	54522..*		54523..*	
Strada Harmony bench 120	55145..*		55147..*	
Strada Harmony bench 60	55146..*		55148..*	

\* Please add the desired colour number to the last digits of the article number.



Quick delivery range: From stock

4-6 weeks

Choice of RAL colour on request



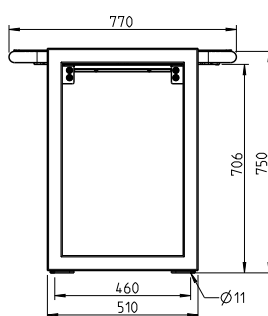
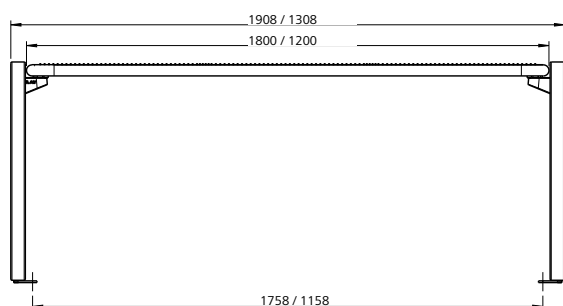


# ERLAU® Strada Maxi Harmony

**Strada Maxi Harmony table. The shapes come together in a unique design, making the table a modern classic.**

- Harmony table surface made from wire mesh and round tubes, diameter 38 mm
- Grid 15 x 15 mm, wire thickness 3.3 mm
- More compact grid for seat separation and added stabilisation
- Table surface vortex, min. coating thickness 350 µm
- Base completely hot-dip galvanised and powder-coated
- Portable with mounting brackets
- Adapter set for connecting table and base

**Matching bicycle stand brackets on page 50.**



STRADA MAXI HARMONY TABLE		
Designation	Item no.	
	Strada Maxi Harmony table 180	55412..*
Strada Maxi Harmony table 120	55413..*	

\* Please add the desired colour number to the last digits of the article number.



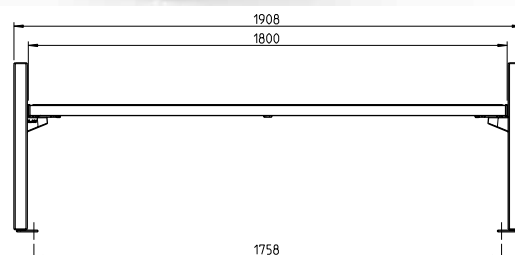
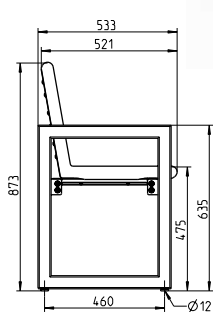
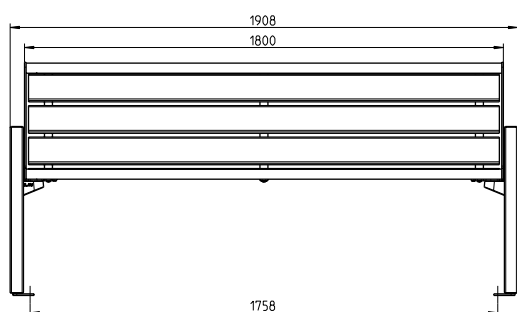
# ERLAU® Strada Style

**The square of seating. The shapes come together in a unique design, making the bench a modern classic**

- Frame made from laser cut moulded parts and round tubes, diameter 38 mm
- Insert available in wire mesh, Pagholz (FSC certified), Iroko (FSC certified), Robinia (FSC certified), Dark Bamboo, Savanna Bamboo, Accoya (FSC certified), or recycled plastic
- Frame hot-dip galvanised and powder-coated
- Base with armrests. Hot-dip galvanised and powder-coated, portable with mounting brackets
- Adapter set for connecting seat and base



**Matching bicycle stand brackets on page 50.**



## STRADA STYLE BENCH

Designation	With backrest		Without backrest	
	Item no.		Item no.	
Strada Style bench wire mesh	54257..*		54527..*	
Strada Style bench Dark Bamboo	54524..*		54528..*	
Strada Style bench Savanna Bamboo	54705..*		54737..*	
Strada Style bench recycled plastic	54525..*		54530..*	
Strada Style bench Pagholz	54130..*		54531..*	
Strada Style bench Accoya	54526..*		54532..*	
Strada Style bench Robinia	55070..*		55071..*	
Strada Style bench Iroko	55036..*		55037..*	

\* Please add the desired colour number to the last digits of the article number.





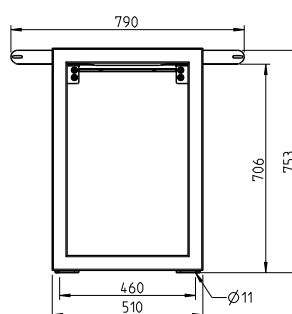
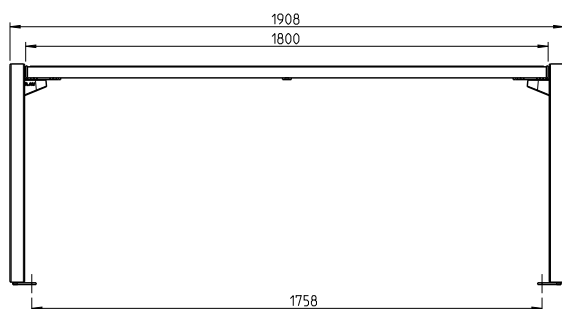
# ERLAU® Strada Maxi Style

**Strada Maxi Harmony table. The shapes come together in a unique design, making the table a modern classic.**

- Table frame made from laser cut moulded parts and round tubes, diameter 38 mm
- Insert available in wire mesh, Pagholz (FSC certified), Iroko (FSC certified), Robinia (FSC certified), Dark Bamboo, Savanna Bamboo, Accoya (FSC certified), or recycled plastic
- Table frame and base completely hot-dip galvanised and powder-coated
- Portable with mounting brackets
- Adapter set for connecting table and base



**Matching bicycle stand brackets on page 50.**



## STRADA MAXI STYLE TABLE

Designation	Item no.	
	Strada Maxi Style table wire mesh	55414..*
Strada Maxi Style table Dark Bamboo	55416..*	
Strada Maxi Style table Savanna Bamboo	55417..*	
Strada Maxi Style table recycled plastic	55419..*	
Strada Maxi Style table Pagholz	55415..*	
Strada Maxi Style table Accoya	55418..*	
Strada Maxi Style table Robinia	55421..*	
Strada Maxi Style table Iroko	55420..*	

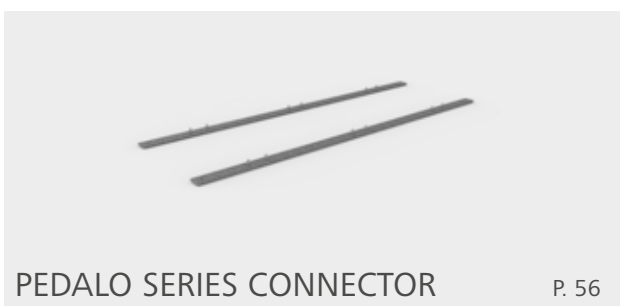
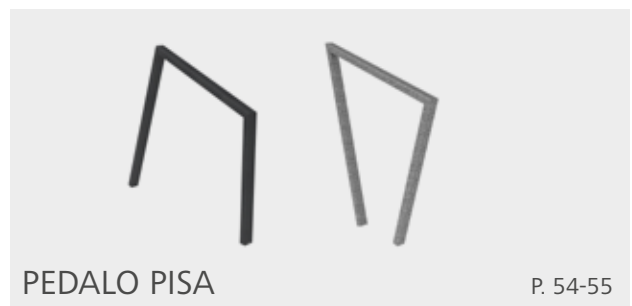
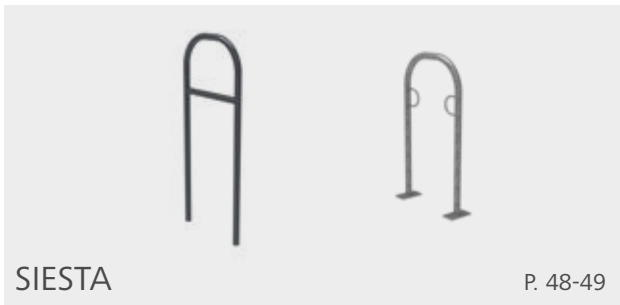
\* Please add the desired colour number to the last digits of the article number.



**ERLAU**® New bicycle parking system products







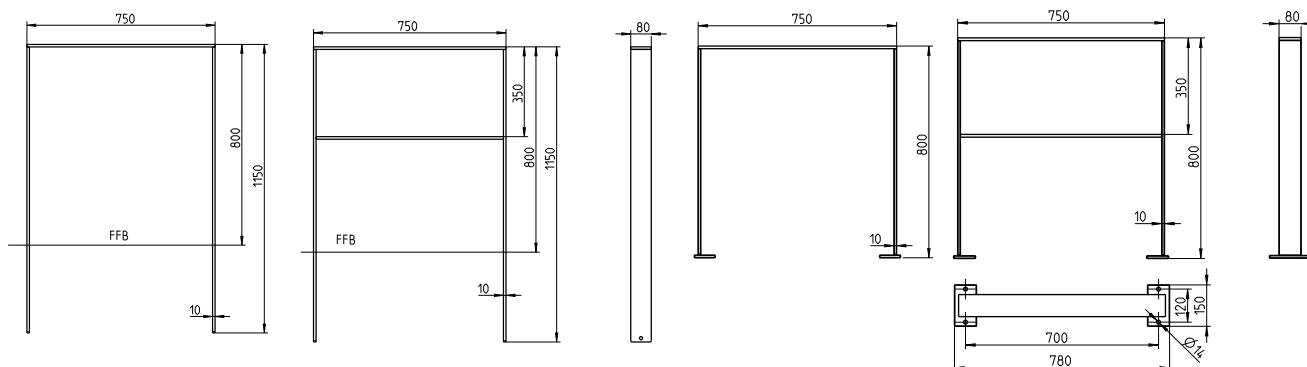


# ERLAU® Quadri bicycle stand

## Quadri bicycle stand

- Bicycle stand made of flat steel, thickness 10mm
- Fixed for embedding in concrete or fixed with a base plate (FPO)
- Optionally with cross bar
- Completely hot-dip galvanised or hot-dip galvanised and powder-coated
- Fixed dimensions (W x D x H): 750 x 80 x 1,150 mm
- FPO dimensions (W x D x H) 780 x 150 x 800 mm

Matching bench in main catalogue on pages 62-63.



### QUADRI BICYCLE STAND

Designation	Fixed		FPO	
	Item no.		Item no.	
Quadri bicycle stand	54646..*		55352..*	
Quadri bicycle stand with cross bar	54649..*		55353..*	

\* Please add the desired colour number to the last digits of the article number.



6- 8 weeks

Choice of RAL colour on request



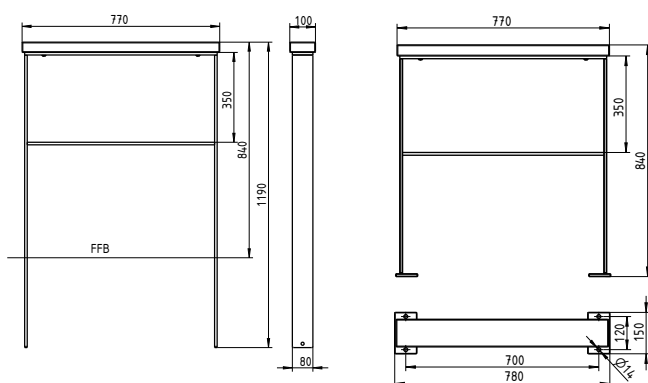


### Quadri bicycle stand with support

- Bicycle stand made of flat steel, thickness 10mm
- Fixed for embedding in concrete or fixed with a base plate (FP0)
- Optionally with cross bar
- Support available in Iroko (FSC certified), Robinia (FSC certified), Dark Bamboo, or Savanna bamboo
- Completely hot-dip galvanised or hot-dip galvanised and powder-coated
- Fixed dimensions with support (W x D x H): 770 x 100 x 1,190 mm
- FP0 dimensions with support (W x D x H) 780 x 150 x 840 mm



Matching bench in main catalogue on pages 62-63.



### QUADRI BICYCLE STAND WITH SUPPORT

Designation	Fixed		FP0	
	Item no.		Item no.	
Quadri bicycle stand with support Iroko	55346..*		55358..*	
Quadri bicycle stand with support Robinia	55345..*		55357..*	
Quadri bicycle stand with support Dark Bamboo	55343..*		55355..*	
Quadri bicycle stand with support Savanna Bamboo	55344..*		55356..*	
Quadri bicycle stand with cross bar, support Iroko	55351..*		55362..*	
Quadri bicycle stand with cross bar, support Robinia	55350..*		55361..*	
Quadri bicycle stand with cross bar, support Dark Bamboo	55348..*		55359..*	
Quadri bicycle stand with cross bar, support Savanna Bamboo	55349..*		55360..*	

\* Please add the desired colour number to the last digits of the article number.



6- 8 weeks

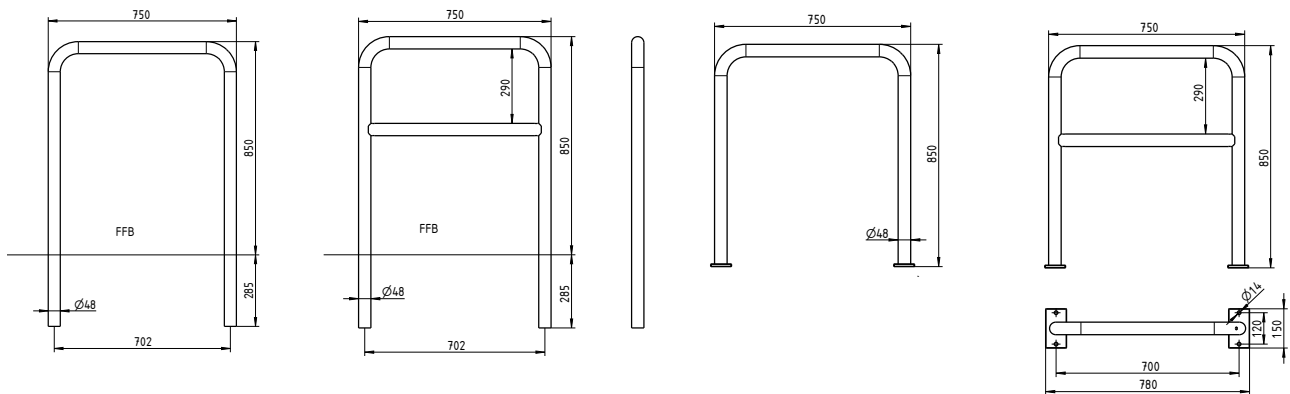
Choice of RAL colour on request



# ERLAU® Pedalo bicycle stand

## Pedalo bicycle stand

- Curved bicycle stand made of round tubes, diameter 48 mm
- Fixed with mounting plate (FP0) or fixed for embedding in concrete, suitable for ground sleeve
- Optionally with cross bar
- Completely hot-dip galvanised or hot-dip galvanised and powder-coated
- Fixed dimensions (W x D x H): 750 x 48 x 1,135 mm
- FP0 dimensions (W x D x H) 780 x 150 x 850 mm



PEDALO BICYCLE STAND			
Designation	Fixed		FP0
	Item no.		Item no.
Pedalo bicycle stand	55364..*		55367..*
Pedalo bicycle stand with cross bar	55365..*		55368..*

\* Please add the desired colour number to the last digits of the article number.



6-8 weeks

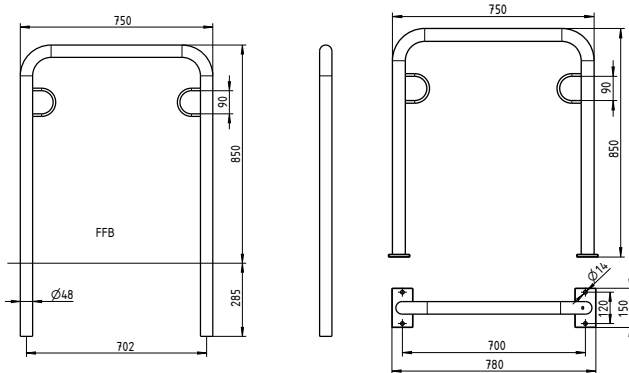
Choice of RAL colour on request





### Pedalo bicycle stand with lugs

- Curved bicycle stand made of round tubes, diameter 48 mm
- Fixed with mounting plate (FP0) or fixed for embedding in concrete, suitable for ground sleeve
- With attachment lug
- Completely hot-dip galvanised or hot-dip galvanised and powder-coated
- Fixed dimensions (W x D x H): 750 x 48 x 1,135 mm
- FP0 dimensions (W x D x H) 780 x 150 x 850 mm



PEDALO BICYCLE STAND WITH LUGS				
Designation	Fixed		FP0	
	Item no.		Item no.	
Pedalo bicycle stand with lugs	55366.*		55369.*	

\* Please add the desired colour number to the last digits of the article number.



Choice of RAL colour on request

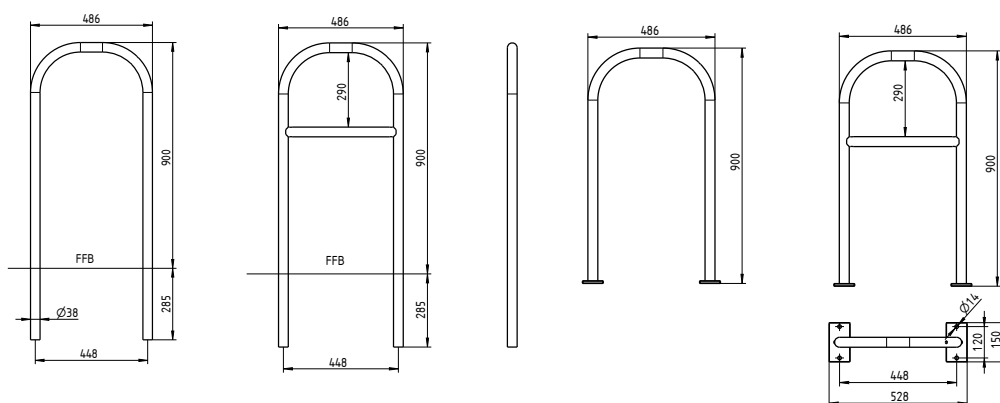


# ERLAU® Siesta bicycle stand

## Siesta bicycle stand

- Curved bicycle stand made of round tubes, diameter 38 mm
- Fixed with mounting plate (FPO) or fixed for embedding in concrete, suitable for ground sleeve
- Optionally with cross bar
- Completely hot-dip galvanised or hot-dip galvanised and powder-coated
- Fixed dimensions (W x D x H): 486 x 38 x 1,185 mm
- FPO dimensions (W x D x H) 528 x 150 x 900 mm

Matching bench in main catalogue on pages 52-53.



### SIESTA BICYCLE STAND

Designation	Fixed		FPO	
	Item no.		Item no.	
Siesta bicycle stand	55370..*		55373..*	
Siesta bicycle stand with cross bar	55371..*		55374..*	

\* Please add the desired colour number to the last digits of the article number.



6-8 weeks

Choice of RAL colour on request

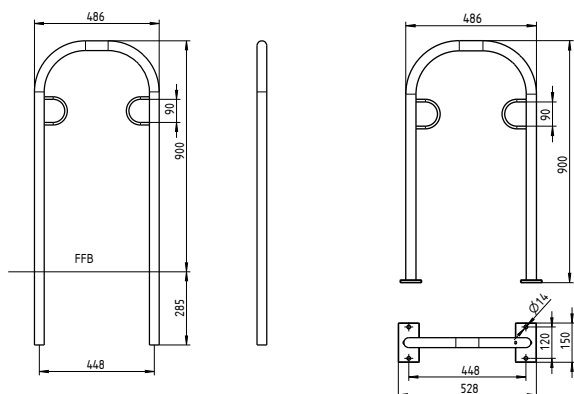




### Siesta bicycle stand with lugs

- Curved bicycle stand made of round tubes, diameter 48mm for variant with lugs
- Fixed with mounting plate (FP0) or fixed for embedding in concrete, suitable for ground sleeve
- With attachment lug
- Completely hot-dip galvanised or hot-dip galvanised and powder-coated
- Fixed dimensions (W x D x H): 486 x 38 x 1,185 mm
- FP0 dimensions (W x D x H) 528 x 150 x 900 mm

Matching bench in main catalogue on pages 52-53.



#### SIESTA BICYCLE STAND WITH LUGS

Designation	Fixed		FP0	
	Item no.		Item no.	
Siesta bicycle stand with lugs	55372..*		55375..*	

\* Please add the desired colour number to the last digits of the article number.



6- 8 weeks

Choice of RAL colour on request

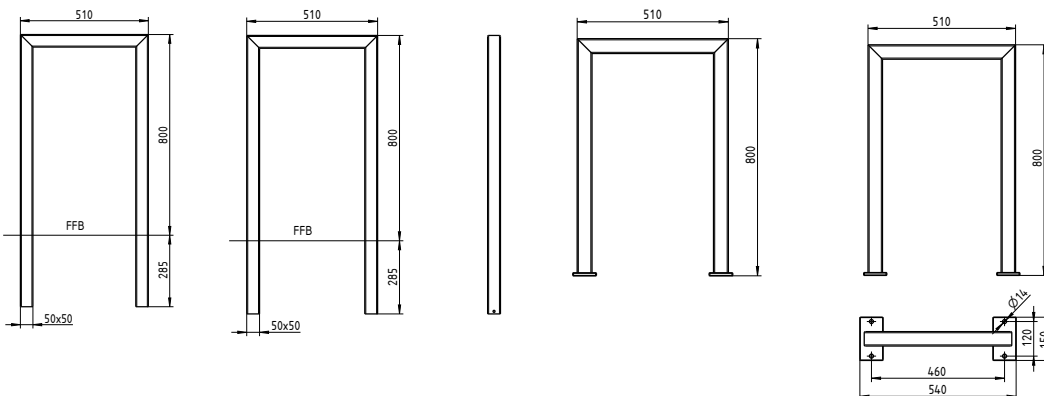


# ERLAU® Strada bicycle stand

## Strada bicycle stand

- Bicycle stand made of rectangular tube (50 x 50 mm)
- Fixed for embedding in concrete or fixed with a base plate (FPO)
- Completely hot-dip galvanised or hot-dip galvanised and powder-coated
- Fixed dimensions (W x D x H): 510 x 50 x 1,085 mm
- FPO dimensions (W x D x H) 540 x 150 x 800 mm

Matching bench on pages 38-41.



STRADA BICYCLE STAND			
Designation	Fixed		FPO
	Item no.		Item no.
Strada bicycle stand	55376..*		55377..*

\* Please add the desired colour number to the last digits of the article number.



6- 8 weeks

Choice of RAL colour on request





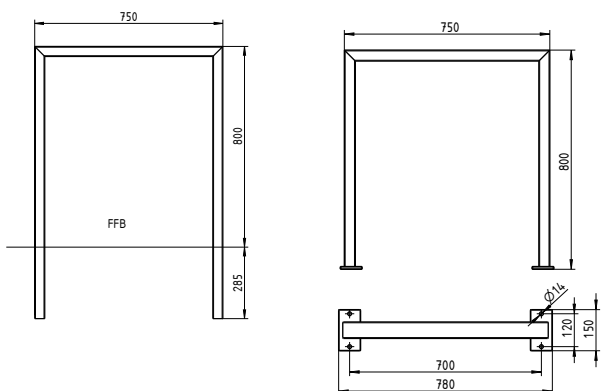
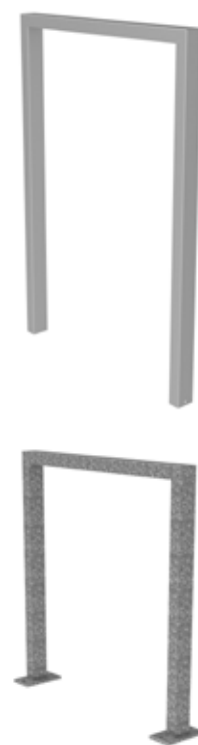


# ERLAU® Patio bicycle stand

## Patio bicycle stand

- Bicycle stand made of rectangular tube (60 x 40 mm)
- Fixed for embedding in concrete or fixed with a base plate (FP0)
- Completely hot-dip galvanised or hot-dip galvanised and powder-coated
- Fixed dimensions (W x D x H): 750 x 60 x 1,085 mm
- FP0 dimensions (W x D x H) 750 x 150 x 800 mm

Matching bench on pages 30-35.



PATIO BICYCLE STAND				
Designation	Fixed		FP0	
	Item no.		Item no.	
Patio bicycle stand	55378.*		55384.*	

\* Please add the desired colour number to the last digits of the article number.



6-8 weeks

Choice of RAL colour on request

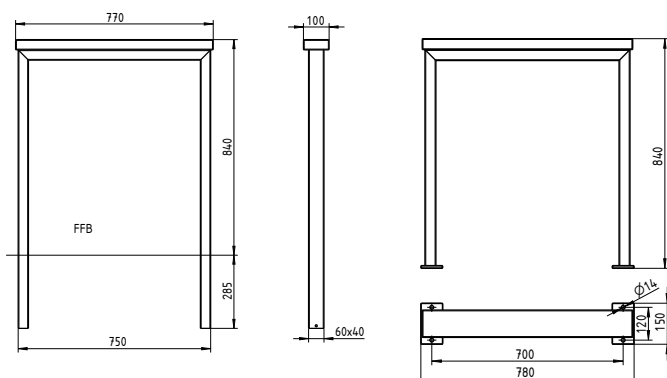




### Patio bicycle stand with support

- Bicycle stand made of rectangular tube (60 x 40 mm)
- Fixed for embedding in concrete or fixed with a base plate (FPO)
- Available support in Iroko (FSC certified), Robinia (FSC certified), dark bamboo dark or Savanna bamboo
- Completely hot-dip galvanised or hot-dip galvanised and powder-coated
- Fixed dimensions with support (W x D x H): 780 x 100 x 1,125 mm
- FPO dimensions with support (W x D x H) 780 x 150 x 840 mm

Matching bench on pages 30-35.



#### PATIO BICYCLE STAND WITH SUPPORT

Designation	Fixed		FPO	
	Item no.		Item no.	
Patio bicycle stand with support Iroko	55383..*		55389..*	
Patio bicycle stand with support Robinia	55382..*		55388..*	
Patio bicycle stand with support Dark Bamboo	55380..*		55386..*	
Patio bicycle stand with support Savanna Bamboo	55381..*		55387..*	

\* Please add the desired colour number to the last digits of the article number.



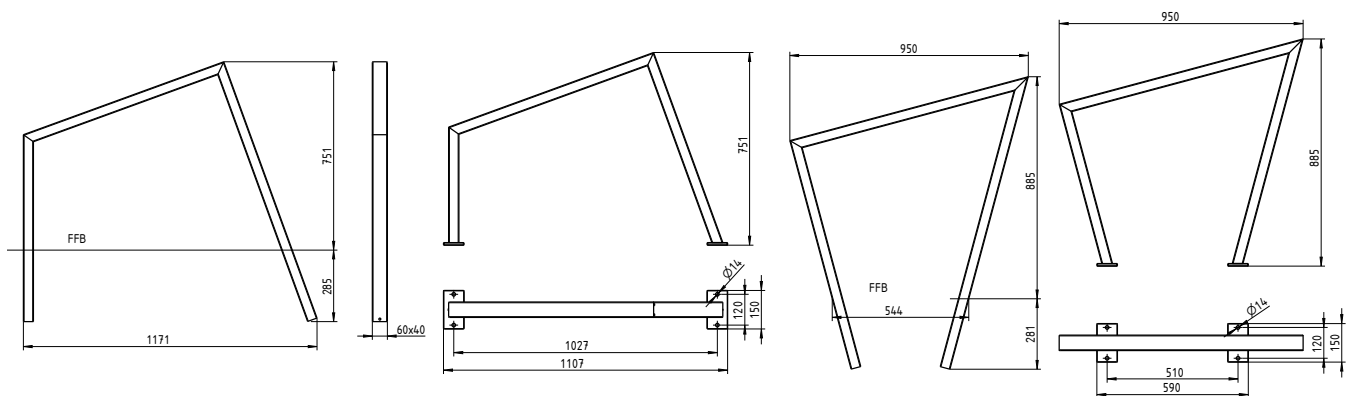
Choice of RAL colour on request



# ERLAU® Pedalo Pisa bicycle stand

## Pisa bicycle stand

- Bicycle stand made of rectangular tube (60 x 40 mm)
- Geometry available with open (Pisa O) or closed (Pisa G) base
- Fixed for embedding in concrete or fixed with a base plate (FP0)
- Completely hot-dip galvanised or hot-dip galvanised and powder-coated
- Fixed Pisa O dimensions (W x D x H): 1,171 x 60 x 1,036 mm
- FP0 Pisa O dimensions (W x D x H): 1,107 x 150 x 751 mm
- Fixed Pisa G dimensions (W x D x H): 950 x 60 x 1,166 mm
- FP0 Pisa G dimensions (W x D x H): 950 x 150 x 885 mm



PEDALO PISA BICYCLE STAND				
Designation	Fixed		FP0	
	Item no.		Item no.	
Pedalo Pisa O bicycle stand	55390..*		55391..*	
Pedalo Pisa G bicycle stand	55392..*		55393..*	

\* Please add the desired colour number to the last digits of the article number.



Choice of RAL colour on request



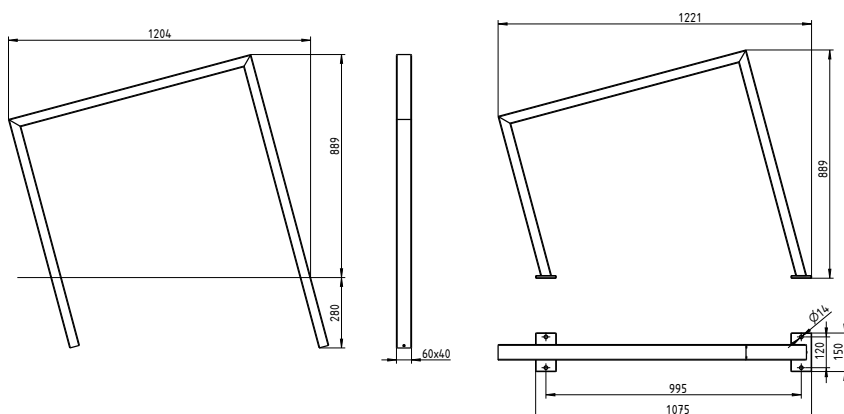


### Pisa bicycle stand

- Bicycle stand made of rectangular tube (60 x 40 mm)
- Geometry with parallel base (Pisa P)
- Fixed for embedding in concrete or fixed with a base plate (FPO)
- Completely hot-dip galvanised or hot-dip galvanised and powder-coated
- Fixed Pisa P dimensions (W x D x H): 1,204 x 60 x 1,169 mm
- FPO Pisa P dimensions (W x D x H): 1,221 x 150 x 889 mm



Pedalo Pisa P  
(Parallel)



#### PEDALO PISA BICYCLE STAND

Designation	Fixed		FPO	
	Item no.		Item no.	
Pedalo Pisa P bicycle stand	55394.*		55395.*	

\* Please add the desired colour number to the last digits of the article number.



6- 8 weeks

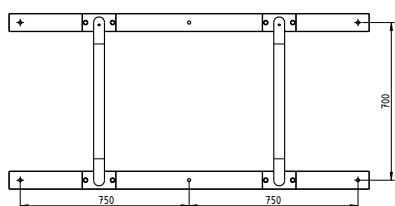
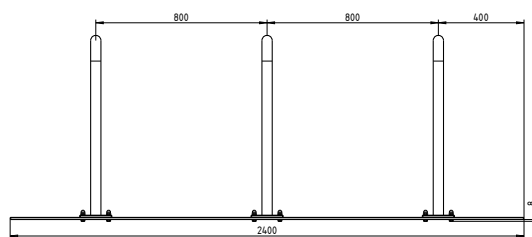
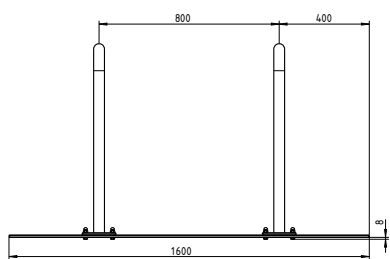
Choice of RAL colour on request



# ERLAU® Pedalo series connector

## Pedalo series connector

- Series connector made of flat steel (8 mm)
- Suitable for all Erlau bicycle stands with ground mounting plates
- Portable with fixing hole
- Completely hot-dip galvanised
- Length of 2x unit: 1,600 mm
- Length of 3x unit: 2,400 mm

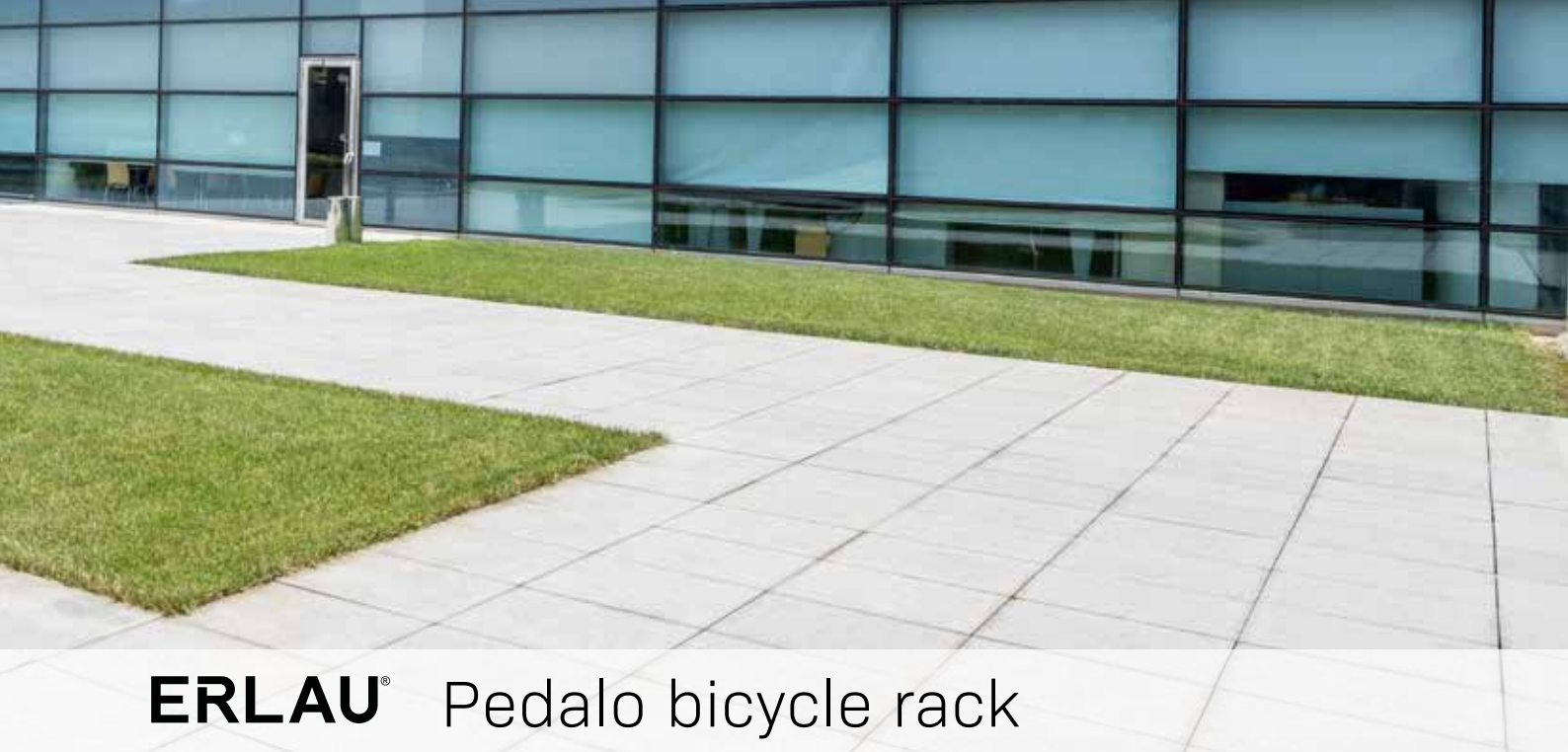


### PEDALO SERIES CONNECTOR

Designation	Item no.	
	Pedalo series connector 2x	5539617
Pedalo series connector 3x	5539717	

\* Please add the desired colour number to the last digits of the article number.

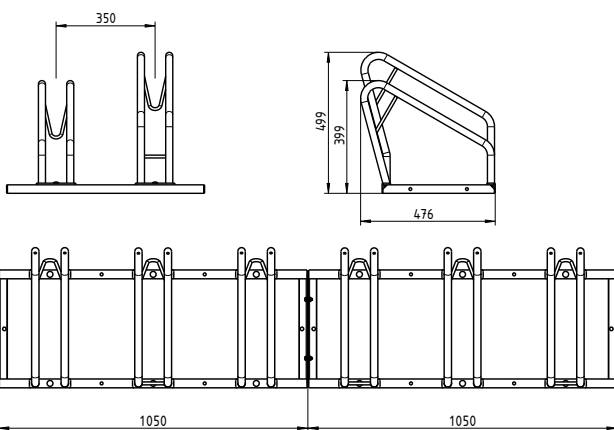
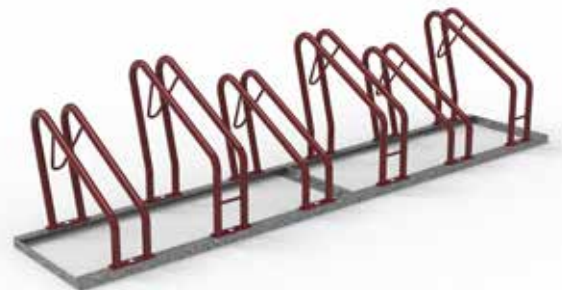




# ERLAU® Pedalo bicycle rack

## Pedalo bicycle rack

- Bicycle rack made of round tube (25 mm)
- Rack completely hot-dip galvanised or hot-dip galvanised and powder-coated
- Frame completely hot-dip galvanised
- Portable with fixing hole
- Suitable for mountain bikes
- Optimal clamping effect
- Parallel arrangement
- Space-saving high/low positioning
- Individually expandable



PEDALO BICYCLE RACK		
Designation	Item no.	
	Pedalo bicycle rack 2x	55402..*
Pedalo bicycle rack 3x	55403..*	
Pedalo bicycle rack 4x	55404..*	
Pedalo bicycle rack 5x	55405..*	
Pedalo bicycle rack 6x	55406..*	

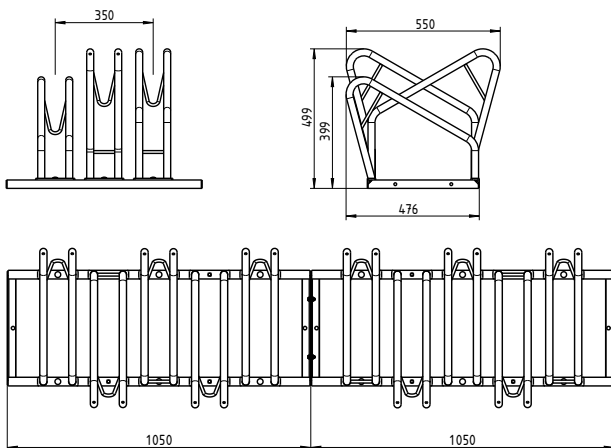
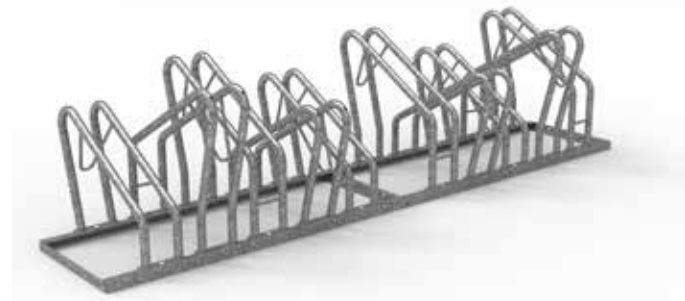
\* Please add the desired colour number to the last digits of the article number.



# ERLAU® Pedalo bicycle rack

## Pedalo bicycle rack interlocking

- Bicycle rack made of round tube (25 mm)
- Rack completely hot-dip galvanised or hot-dip galvanised and powder-coated
- Frame completely hot-dip galvanised
- Portable with fixing hole
- Suitable for mountain bikes
- Optimal clamping effect
- Alternating arrangement
- Space-saving high/low positioning
- Individually expandable



PEDALO BICYCLE RACK INTERLOCKING		
Designation	Item no.	
	Pedalo bicycle rack interlocking 3x	55407..*
Pedalo bicycle rack interlocking 5x	55408..*	
Pedalo bicycle rack interlocking 6x	55409..*	
Pedalo bicycle rack interlocking 8x	55410..*	
Pedalo bicycle rack interlocking 10x	55411..*	

\* Please add the desired colour number to the last digits of the article number.





# GUARANTEED QUALITY

## Our ERLAU warranty conditions:

Erlau provides a warranty on hot dip galvanised products against rusting through from the inside and outside (except for "CityLine" products). Accordingly, damages caused by external effects, such as impacts by foreign objects, scratches, dents, dings, caustic substances or substances containing solvents, etc. are excluded. Likewise, damages caused by natural wear and tear are excluded. The rust warranty does not apply if the equipment has been exposed to atmospheres containing salt or chlorine, or if they come into contact with de-icing salt.

Erlau reserves the right to restrict the rust warranty depending on the planned usage location. Therefore, the customer is obligated to inform the issuer of the warranty where the product will be used, and of any expected special loads it will be exposed to.

In order for this warranty to apply, the product must undergo regular visual inspections and any damages found must be corrected. Damages to the paint or galvanising must be repaired promptly and professionally. The repairs must be documented. The rust warranty will be null and void for repaired areas for 30 cm around the repaired damage. The provider of the warranty must be informed promptly at the first sign of rusting through from the inside to the outside, such as if bubbles form. The provider of the warranty must be permitted to take measures to prevent further damage, however the provider is not obligated to do so.

The production company grants a 5 year warranty on Pagholtz. Furnishings exposed to the weather must be serviced regularly according to our recommendations. This servicing must also be documented.

The warranty does not cover damages and unnatural wear and tear due to external influences or improper use.

The warranty only covers repair or replacements of damaged parts, including transportation costs, as well as customary wages for a professional technician. The provider of the warranty is not obligated to perform work, but can require that work be performed by it or by a third party commissioned by it.

If work is not performed or commissioned by the provider of the warranty, it must be approved by the provider of the warranty before it is commissioned by submitting a cost estimate. The warranty will be null and void in case of improper use, improper setup or disassembly, improper transport and/or improper storage. The warranty provider must be informed if the usage location changes or the equipment is sold. The warranty provider may restrict or revoke the warranty in full in this case.

There are no further warranty claims or claims for damages.



# ERLAU

## Delivery and payment conditions:

All prices are in EURO per item plus VAT. Delivery ex works Aalen on the basis of our General Terms and Conditions of Sale (GTC).

These can be found online at [www.erlau.com](http://www.erlau.com), subject to meeting the conditions of our commercial credit insurance.

Our invoices are payable within 30 days without deduction.

Shipments are completed at the cost and risk of the purchaser. Complaints of any kind will only be considered within 14 days after receipt of the goods. Immediately upon receipt of the goods, the recipient shall inspect them both quantitatively and qualitatively to determine whether they deviate from the contractually agreed quality. You must notify us in writing of any obvious defects within 14 days of receiving the goods. You must notify us in writing of any non-obvious defects as soon as they become apparent and within max. 6 months of receiving the goods. Damages present at the time of delivery must be documented.

For closed shipments up to a net invoice value of EUR 8,000, we will charge 10 % freight on the net value of goods (if received within Germany).

For orders over a net value of goods of EUR 8,000, we will complete the delivery free of charge.

We will charge 5% of the net value of goods for closed shipments (within Germany) on orders placed in the e shop up to a net value of 8,000 EUR. Freight prices will be offered and charged individually for shipments outside of the German mainland.

Special services such as express delivery or delivery using a lifting platform are available for an extra charge.

The packaging will neither be charged nor taken back; seaworthy packaging, however, will always be invoiced.

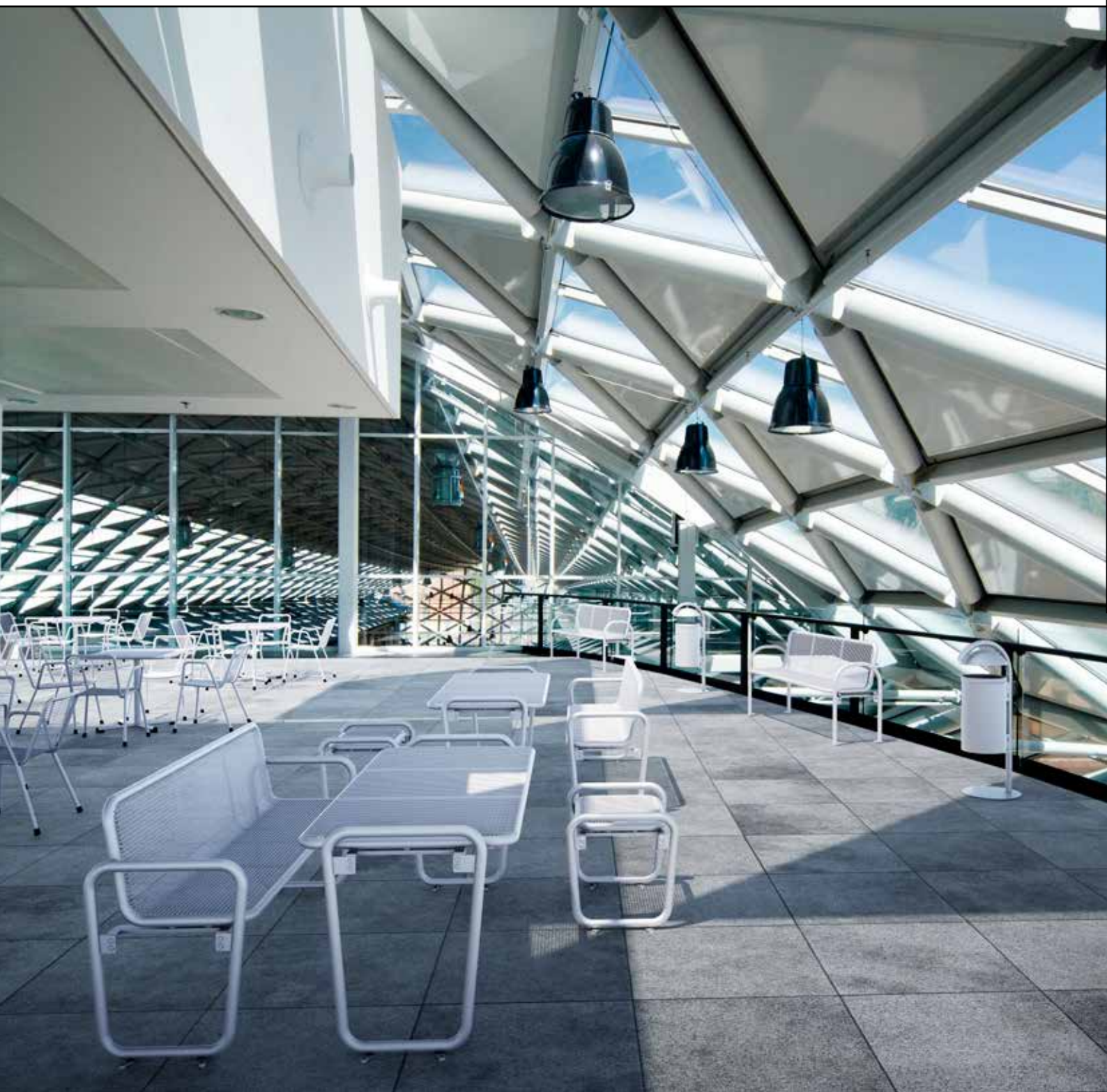
Within the Federal Republic of Germany, our packaging can be registered for collection with Interseroh.

All prices do not include installation, excavation or concrete work. Upon request, installation can be completed by our installers, for reimbursement of any costs incurred. Detailed instructions are available for installation by the client. Excavation and concrete work must always be completed on site according to our provided dimensions. Unloading and/or dividing up the ordered goods to individual floors, storage locations and parking spaces is not part of our scope of services.

We exclude the return of goods without our express consent.

If we agree to take back goods, only our return notes are to be used.

DISCOVER OUR  
COMPLETE CATALOGUE OF  
OUTDOOR FURNISHINGS...







...AT [WWW.ERLAU.COM](http://WWW.ERLAU.COM)

# ERLAU®

A BRAND OF THE RUD GROUP



## CONTACT

We are happy to help.

### GERMANY

RUD Ketten  
Rieger & Dietz GmbH & Co. KG  
Friedensinsel, 73432 Aalen  
Tel. +49 7361 504-0  
Fax +49 7361 504-3017  
objekteinrichtung@erlau.com  
www.erlau.de  
shop.erlau.com

### AUSTRIA

ERLAU in Österreich GmbH  
Pfungauer Straße 67  
5202 Neumarkt  
Tel.: +43 6216 9000  
Fax: +43 6216 9000-88  
info@erlau.at  
www.erlau.at

### SWITZERLAND

ERLAU Schweiz AG  
Florastrasse 14  
8610 Uster  
Tel.: +41 43 466 94 58

info@erlau.ch  
www.erlau.ch

### ITALY

SEDO  
Julius-Durst 66  
39042 Brixen (BZ), South Tyrol  
Tel.: +39 0472 971141  
Fax: +39 0472 201148  
info@sedo-bz.com  
www.sedo-bz.com

A group company

